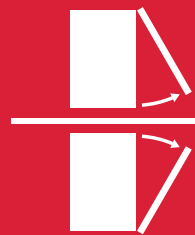




# Kiario Opening System

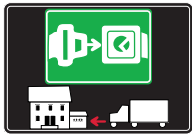


OPENING  
SYSTEMS  
FOR FLAP  
AND DROP  
DOWN  
DOORS



# SYMBOLS AND FINISHES LEGEND

## SYMBOLS



= SHELF SAFELY LOCKED DURING TRANSPORTATION AND AT HOME.



= ANTI-TURNOVER LOCKING SYSTEM



= NORMS / PATENTS



= PHILLIPS / POZIDRIV



= WITH BUFFER



= PART NO.



= BLADE SLOT



= WITH MAGNET



= PCS. PER PACKAGE



= COMBI SLOT



= HEXAGONAL SOCKET



= NEWTON



= CAPACITY LOADING



= HEXALOBULAR SOCKET



= FRICTION



= WOOD / GLASS THICKNESS



= COUNTERSUNK HEAD



= AUTOMATIC



= HOLE DIAMETER



= PAN HEAD



= DROP DOWN



= DIAMETER



= FLANGE HEAD



= LENGTH



= FLAT HEAD



= STANDARD HINGE



= HEIGHT



= TRILOBULAR SCREW



= KIMANA HINGE



= RIGHT VERSION



= SELF-TAPPING SCREW



= FLAP HINGE



= LEFT VERSION



= EURO THREAD



= WITH SPRING



= SETTING CODE



= METRIC THREAD



= WITHOUT SPRING



= PCS. PER PAD



= PRE-INSERTED SCREW



= REVERSED SPRING



= CUT ON REQUEST



= PRE-INSERTED SCREW AND SPREADING BUSH



= SELF ADHESIVE



= WITH FLANGE

NOTE: Printing errors and omissions may exist despite our best efforts to ensure accuracy. We reserve the right to alter specifications without notice.

## MATERIALS

**ZA** = Zinc Alloy

**ST** = Steel

**HSS** = High Speed Steel

**BR** = Brass

**ABS** = Acrylonitrile Butadiene Styrene

**ZAnk** = Nickel-plated Zinc Alloy

**STzk** = Zinc-plated Steel

**AL** = Aluminium

**WD** = Wood

**EVA** = Ethylene Vinyl Acetate

**EP** = **ENGINEERING PLASTIC**

+ **EP** = other engineering plastic available on request

**SR** = **SOFT RUBBER**

+ **SR** = other soft rubber available on request

**EPn** = Natural Engineering Plastic

**EPc** = Clear Engineering Plastic

**SRn** = Natural Soft Rubber

**EPw** = White Engineering Plastic

**EPg** = Grey Engineering Plastic

**SRw** = White Soft Rubber

**EPwg** = Water Green Engineering Plastic

**SRb** = Black Soft Rubber



## FINISHES



= OTHER FINISHES AVAILABLE ON REQUEST

PART NO.	FINISHES	PART NO.	FINISHES	PART NO.	FINISHES
OO	Insignificant finish	IF	Middle Grey	UT	T-Met 9007
AA	Natural	IJ	Light Grey	UZ	T-Met
AB	White	IL	Grey 20	WA	Bronzed
AE	White 9010	IN	Grey met. 26	WI	Burnished
EA	Black	JB	Bright Aluminium	XD	Satin-finished Steel
EC	Matt Black	JC	Aluminium - Chrome	YA	Nickel-plated
EE	Anthracite	JD	Matt Aluminium	YB	Bright Nickel-plated
EW	Grey 9007	JE	Satin-finished Aluminium	YC	Matt Nickel-plated
FU	Gunmetal	JF	Aluminium - Brass	YD	Satin-finished Nickel-plated
FV	Gunmetal V52	JG	Aluminium 5	YQ	Black Nickel
GR	Raw	JL	Aluminium PE 11	Z9	Black Zinc
HA	Brass-Plated	JM	Aluminium RAL 9006	ZA	Zinc alloy
HH	Tropicalized	KA	Chrome	ZN	Zinc-plated
HL	Raw Brass	KB	Bright Chrome	ZQ	Bright Gold
HX	Graphite	KC	Matt Chrome	ZY	Titanium
IA	Grey	NN	Metallic Beige	ZZ	Clear
IB	Metallic Grey	RO	Red		

## KIARO

Kiara is an opening system for drop down doors with a concealed mechanism which allows to adjust the settings depending on door weight and dimension, thus enabling to manage a wide range of doors with only one reference.

As it is a two-handed mechanism, it can be installed both on right and left side. A high resistance technical wire grants a significant loading capacity together with minimal shapes and elegant design. Available in two finishes which respond to the current overriding trends in the furniture appliances industry.

It is conceived also to be installed with integrated led lighting.



PAT. PENDING

### FEATURES AND BENEFITS

**MINIMAL AND ELEGANT DESIGN:** Wire opening system with reduced size and elegant shapes, becoming an element of design for the whole cabinet.

**OPTIMIZED STOCK MANAGEMENT:** One reference to cover a wide range of door weights and dimensions.

**TWO-HANDED MECHANISM:** The same mechanism can be installed both on right and left side.

**EASY INSTALLATION:** The opening system can be installed with an easy mounting of the lateral profile on the cabinet side and an easy fixation of the wire onto the door.

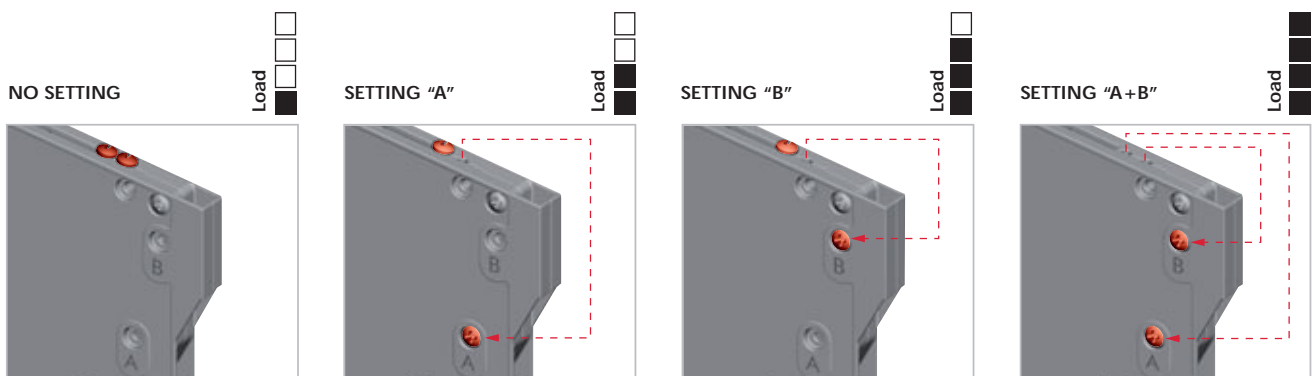
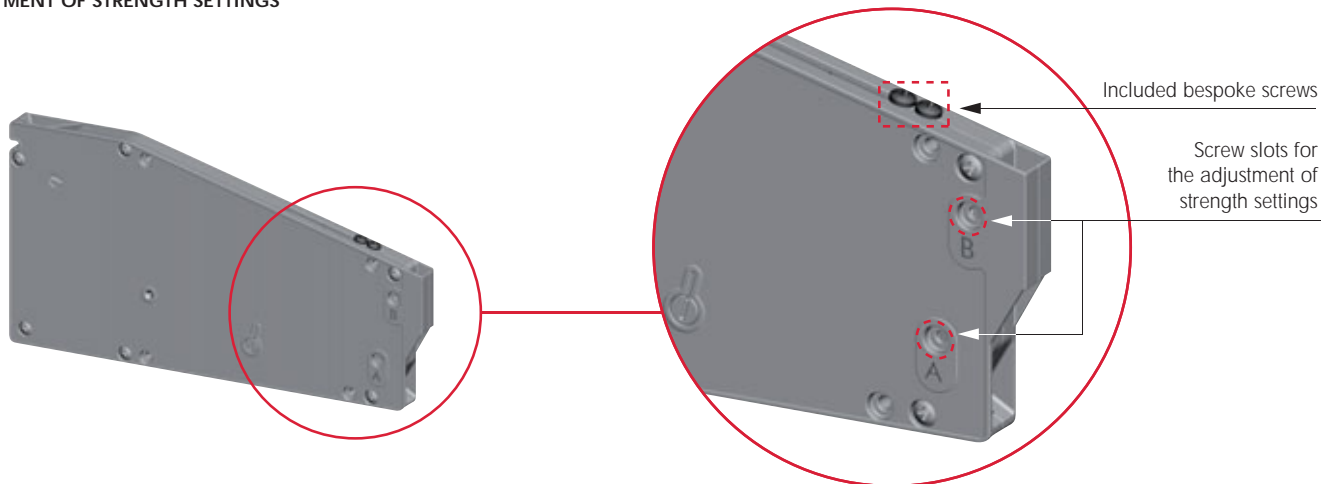
**INTEGRATED LED LIGHTING:** Available also with an integrated decorative led lighting which includes an innovative activation system.

**HANDLELESS DOORS:** Just one K PUSH TECH enables the door opening, with any door weight and size.

**WIDE ADJUSTMENT:** The mechanism allows a wide adjustment of the opening angle.

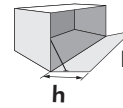


### ADJUSTMENT OF STRENGTH SETTINGS

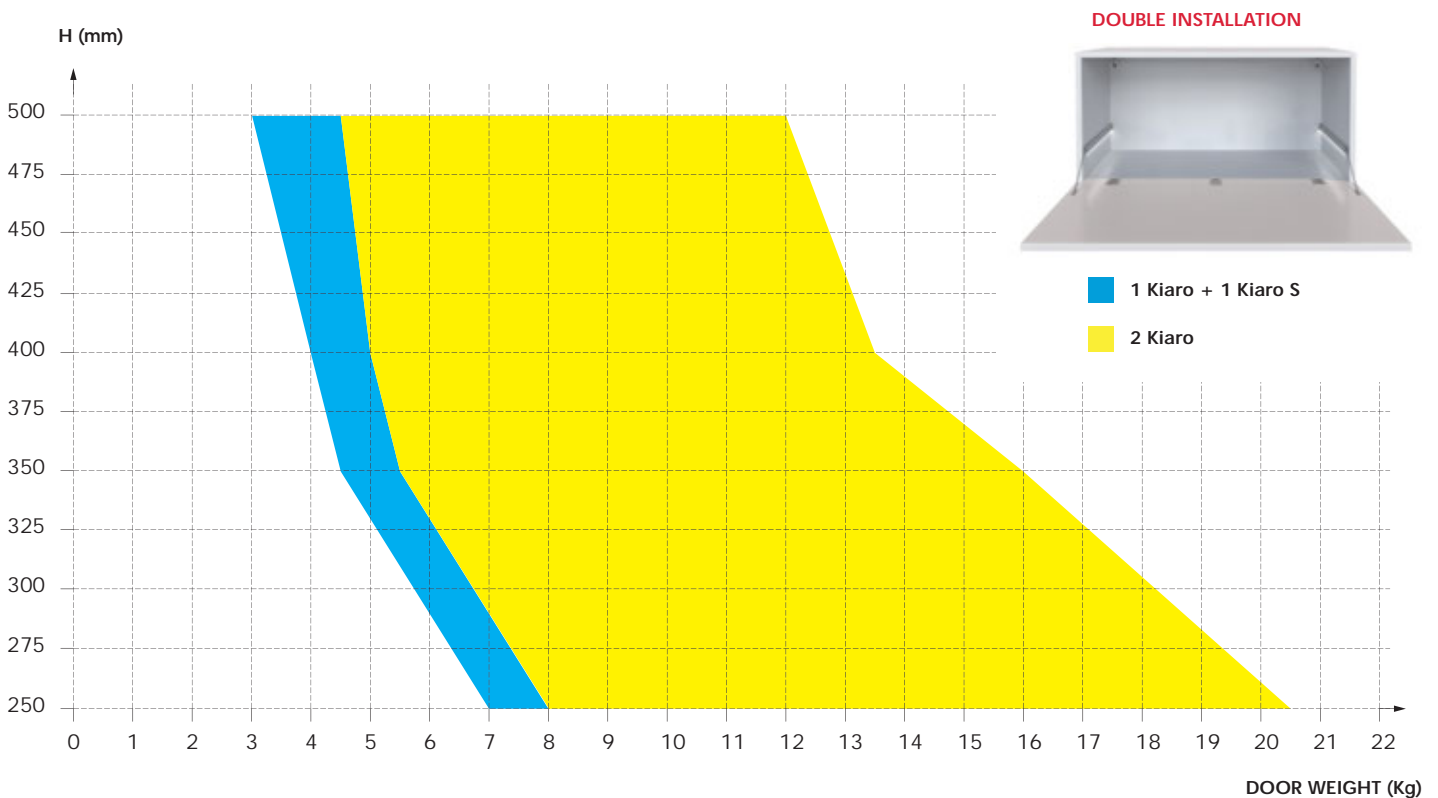
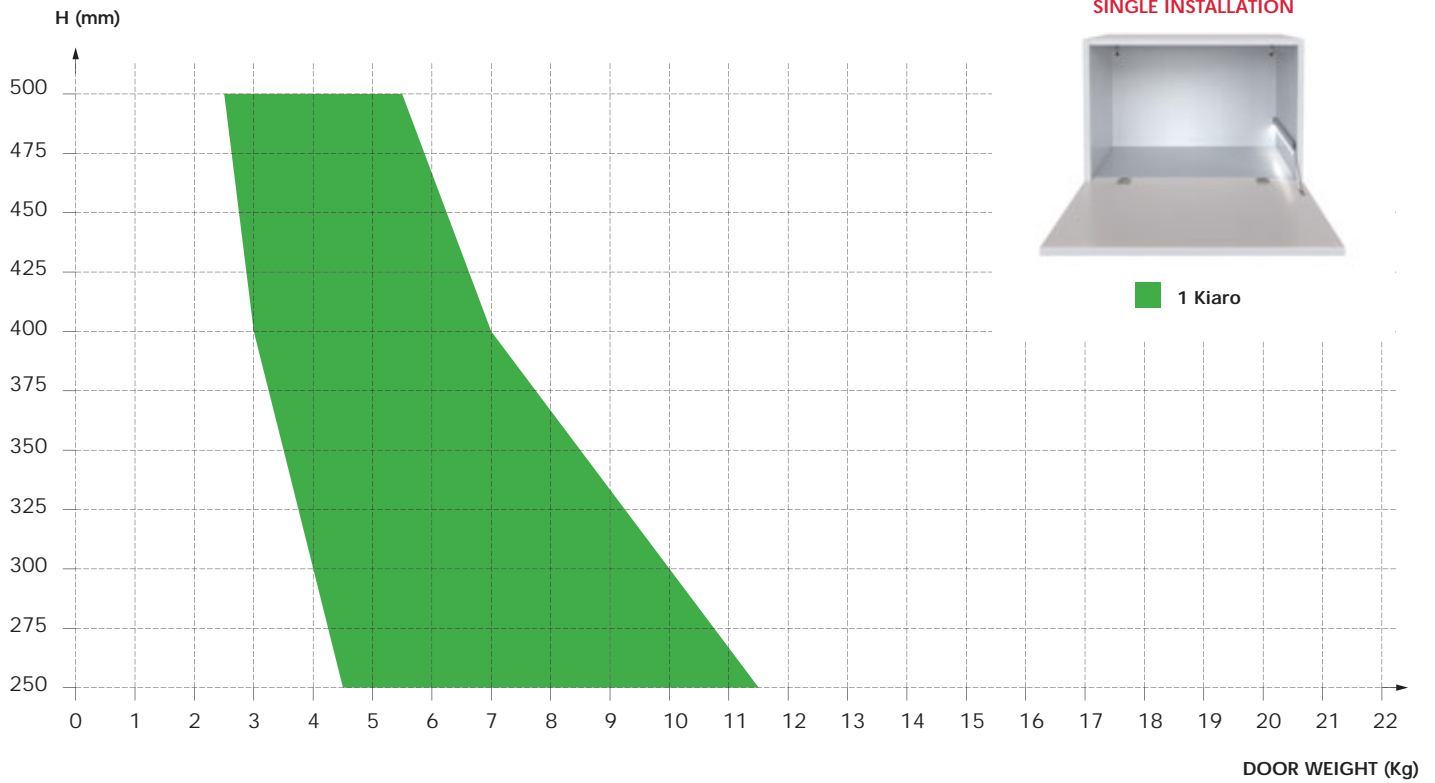




**SOFT OPENING**



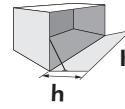
**Kg** = Door weight including the possible handle.



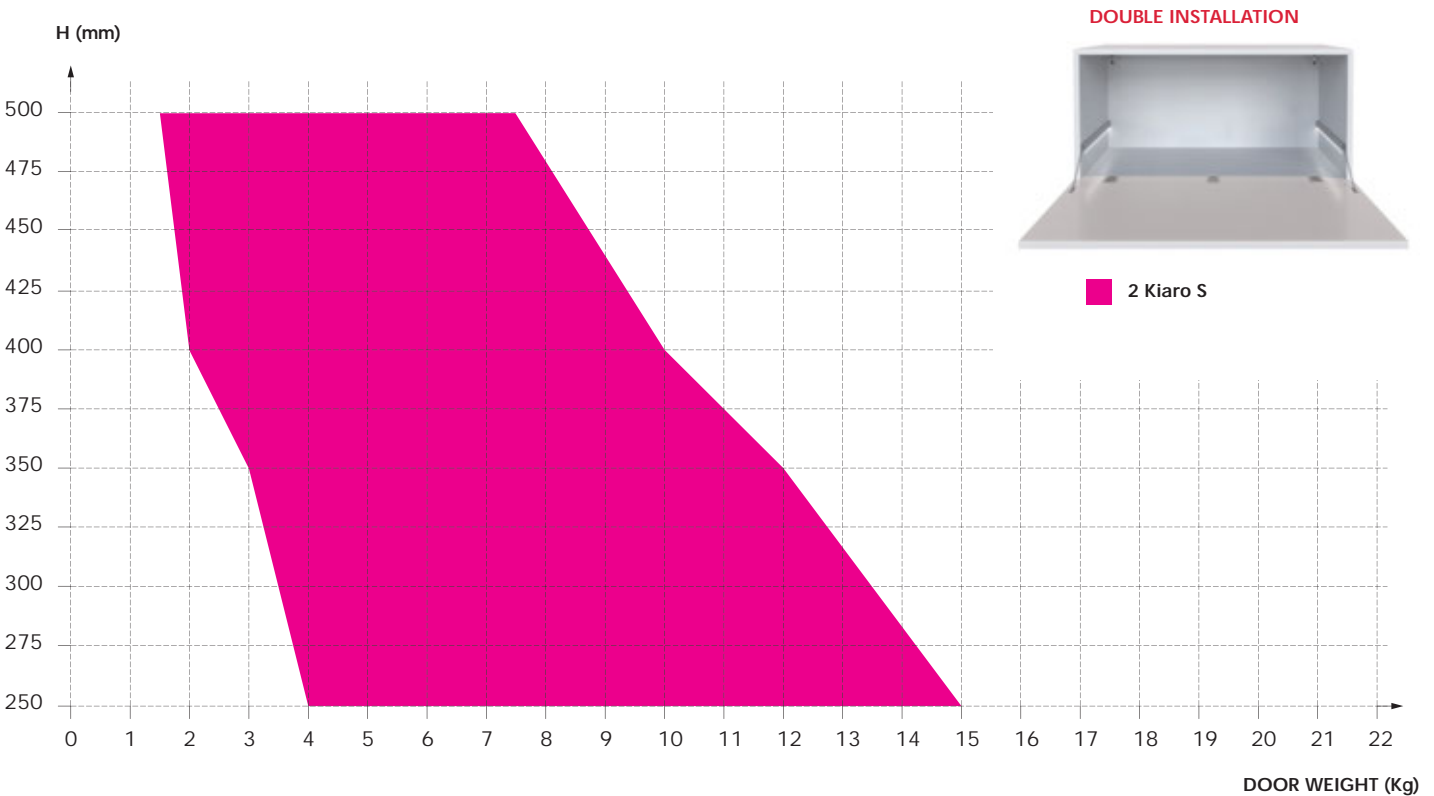
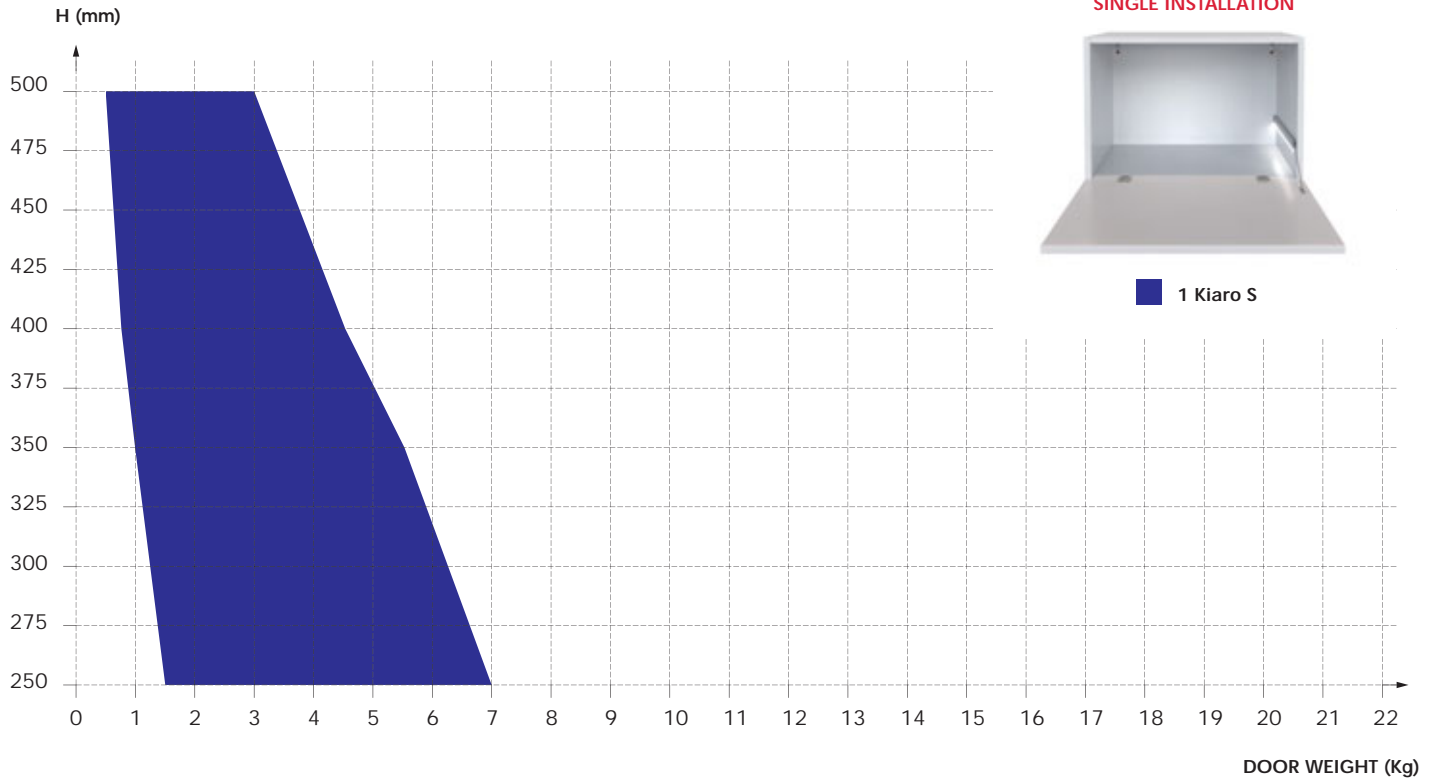
In case the door weight/dimensions are bigger or smaller than those reported on the charts, our technical department is at your disposal to test further cases.



## FRICITION OPENING



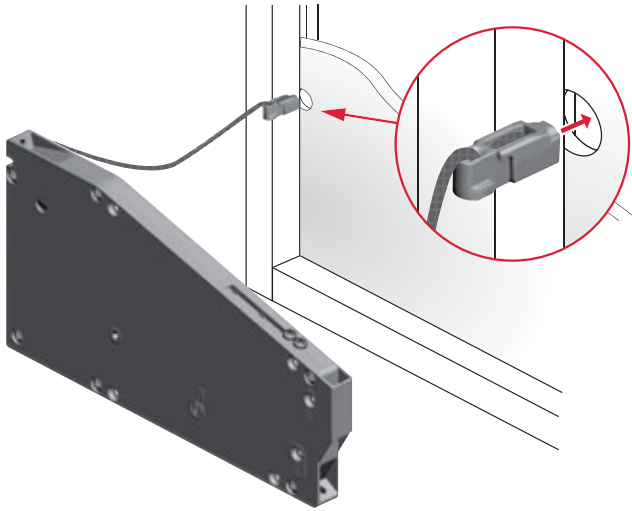
Kg = Door weight including the possible handle.



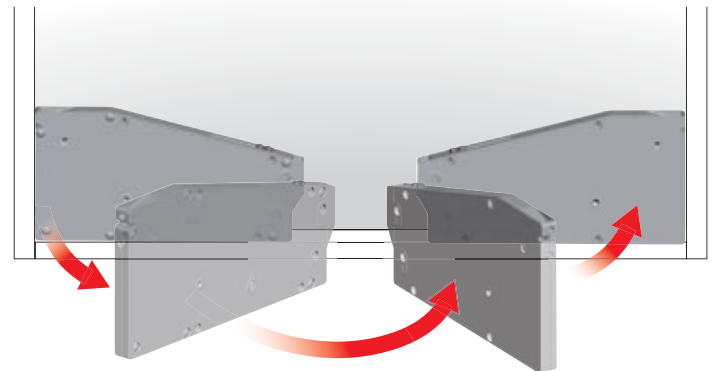
In case the door weight/dimensions are bigger or smaller than those reported on the charts, our technical department is at your disposal to test further cases.



**MECHANISM INSTALLATION**

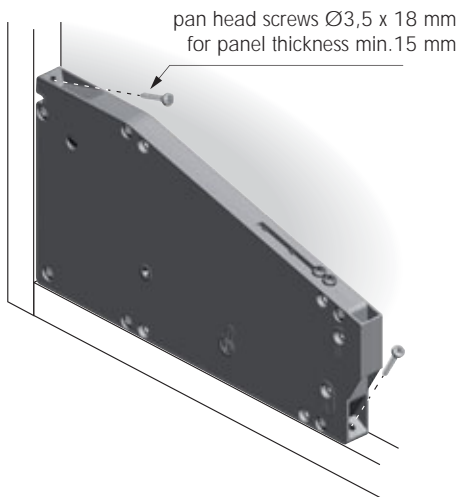


**UNHANDLED MECHANISM**

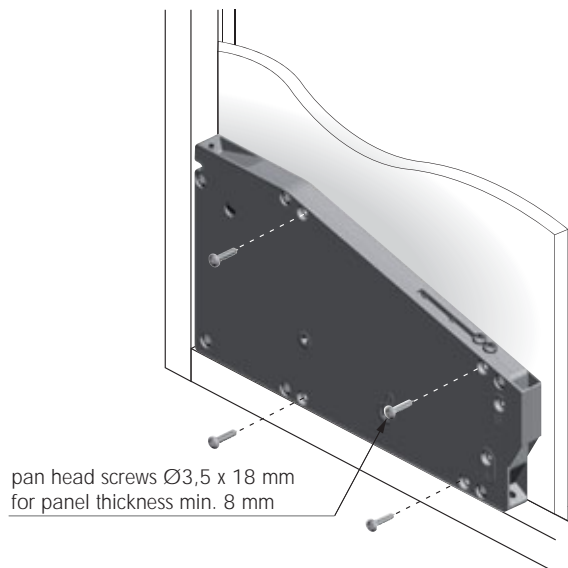


**MECHANISM FIXING**

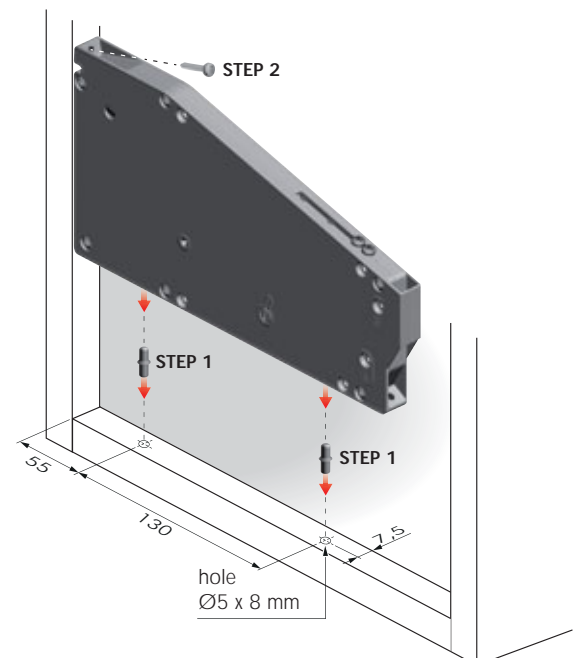
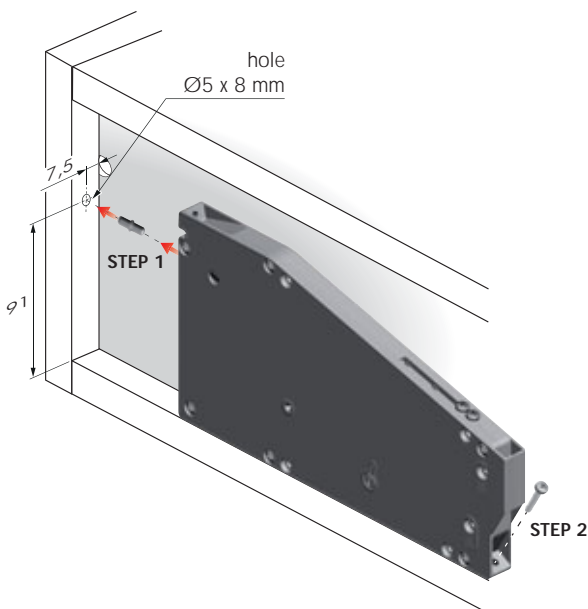
On the bottom and on the side panel with screws



On the back panel with screws

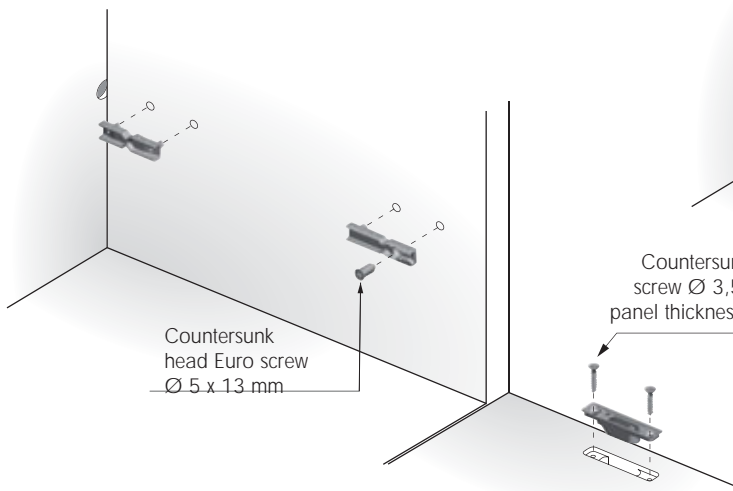


On the bottom and on the side panel with pin and screws

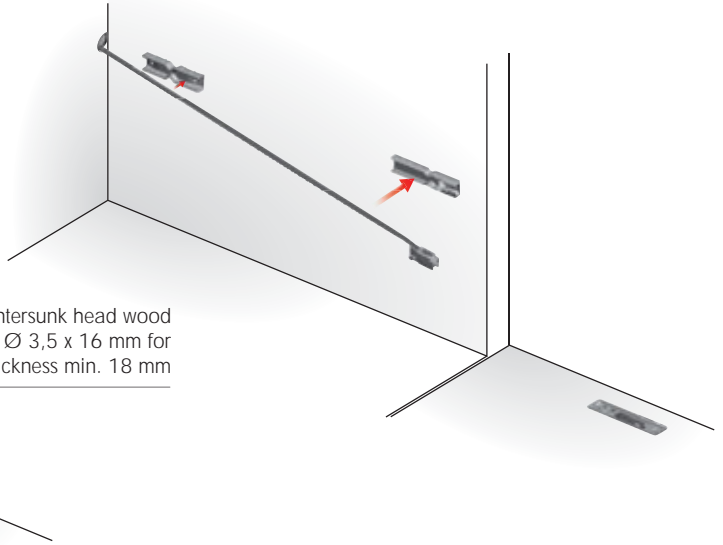




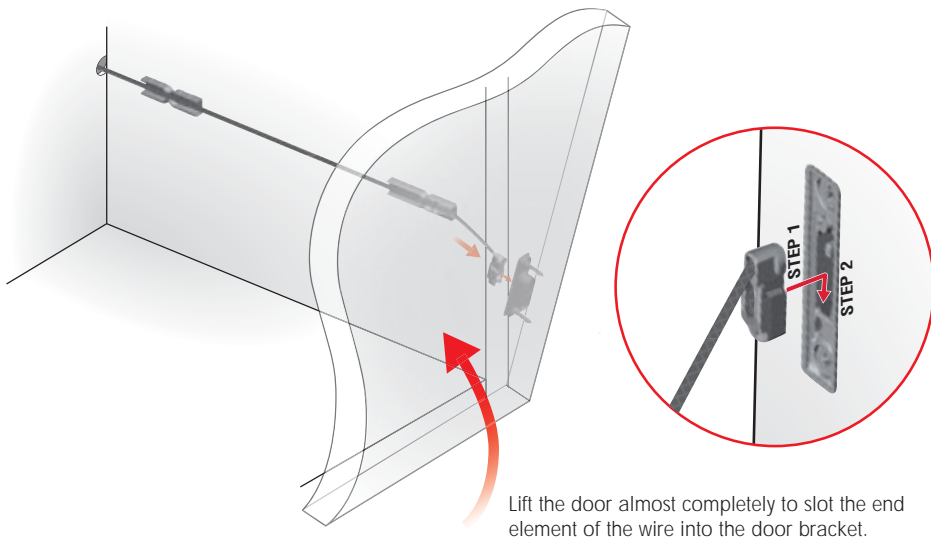
BRACKETS INSTALLATION



WIRE INSTALLATION



WIRE INSERTION ONTO THE DOOR BRACKET

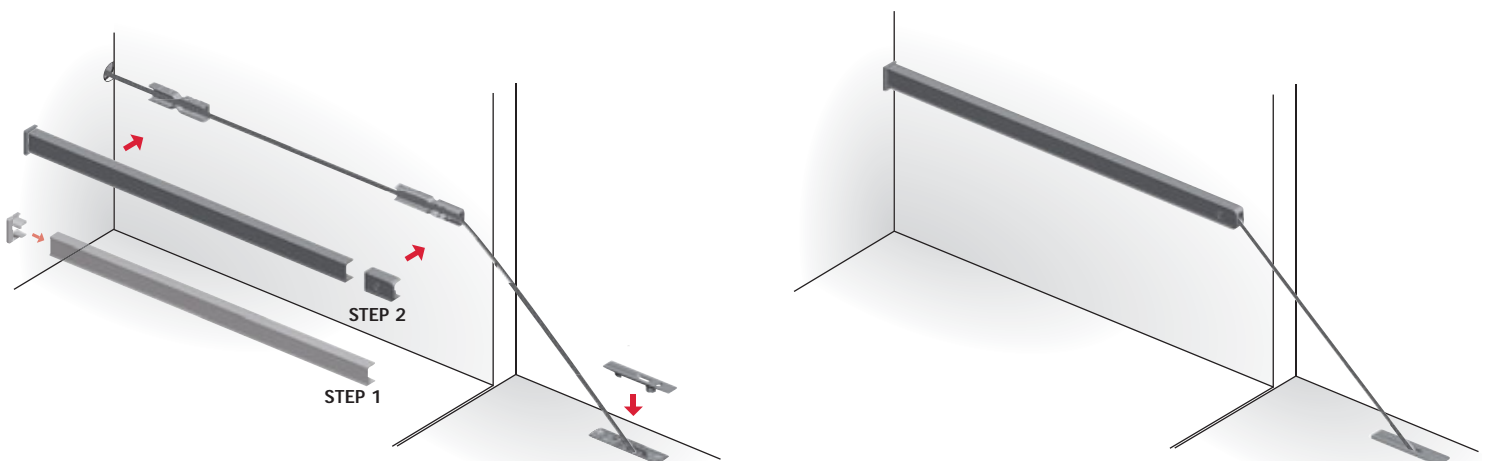


STEP 1

STEP 2



COVER CAP AND ALUMINIUM LATERAL PROFILE INSERTION

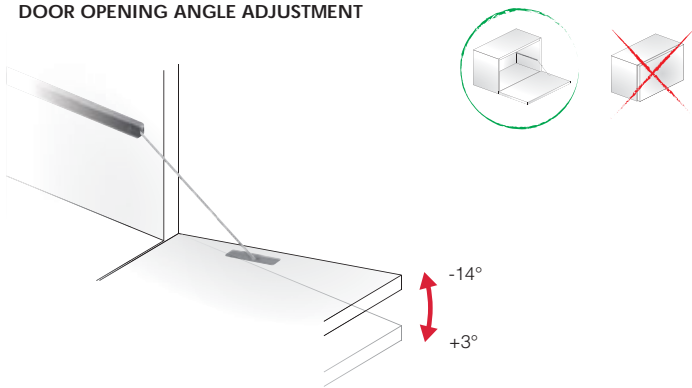


Place the cover cap on the door bracket before lifting the door.





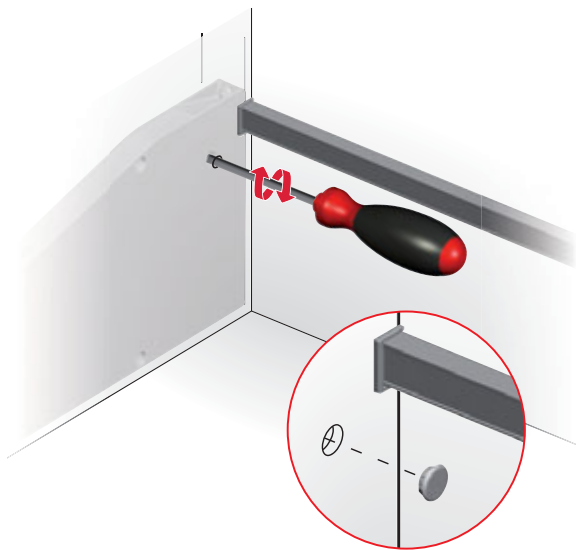
**DOOR OPENING ANGLE ADJUSTMENT**



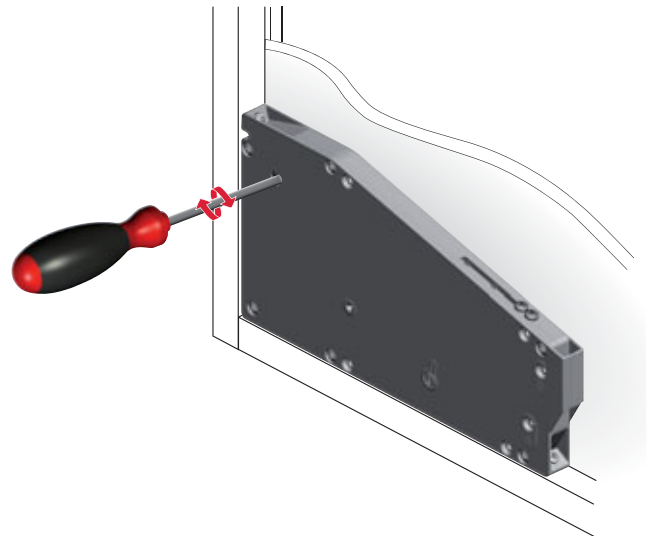
**VERY IMPORTANT:**

The opening angle adjustment can be carried out only with open door.

**FROM THE INSIDE OF THE CABINET**



**FROM THE BACKSIDE OF THE CABINET**



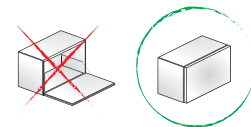
**ADJUSTMENT OF STRENGTH SETTINGS**

Possibility to adjust the settings of the mechanism also upon completed assembly.  
For details refer to the related section.

**VERY IMPORTANT:**

Before proceeding, make sure:

- 1) The door is completely closed.

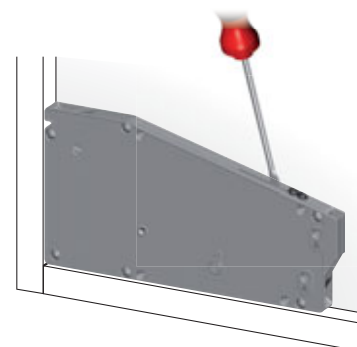
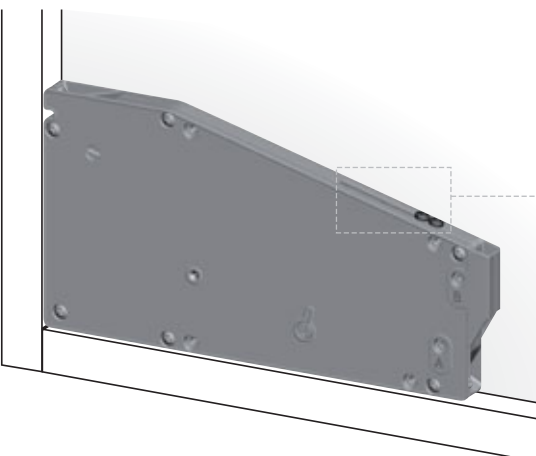


- 2) The mechanism is completely in position.

**OK**



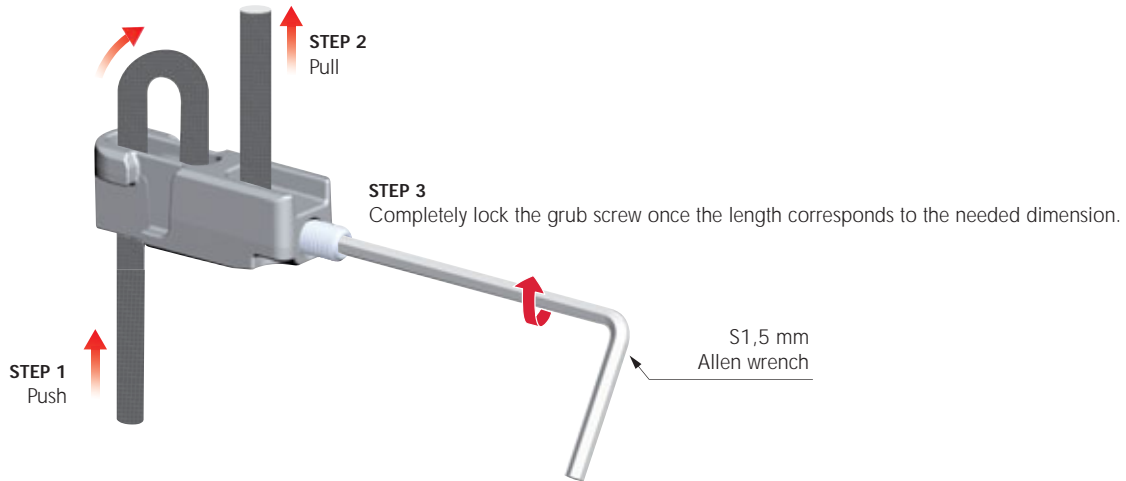
**NO**



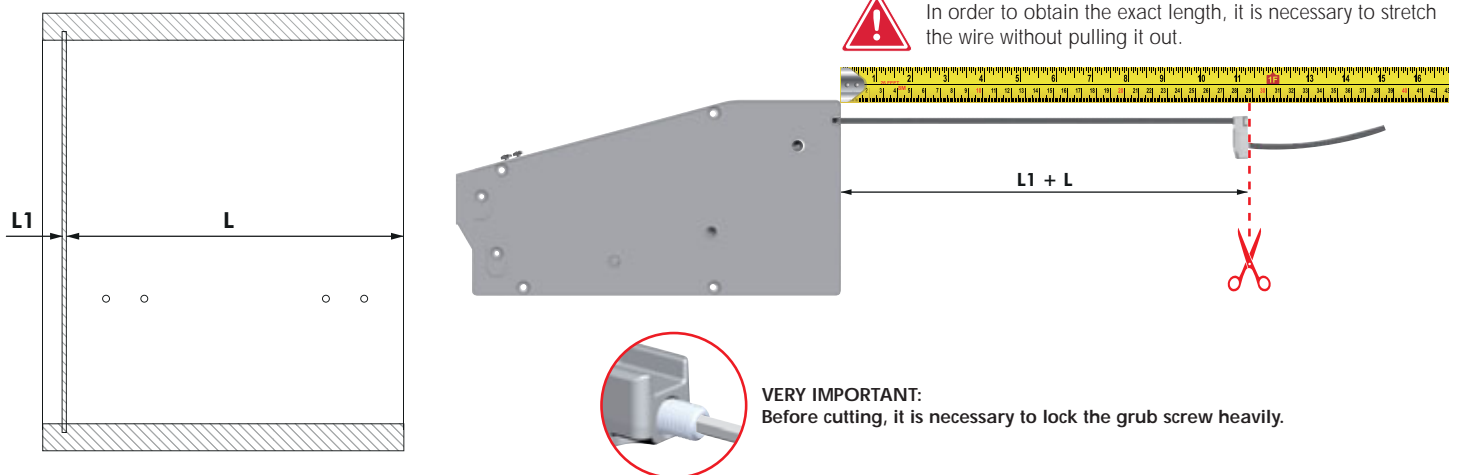
In this case put the small flap in position with a screwdriver.

## INSTRUCTIONS FOR WIRE CUTTING

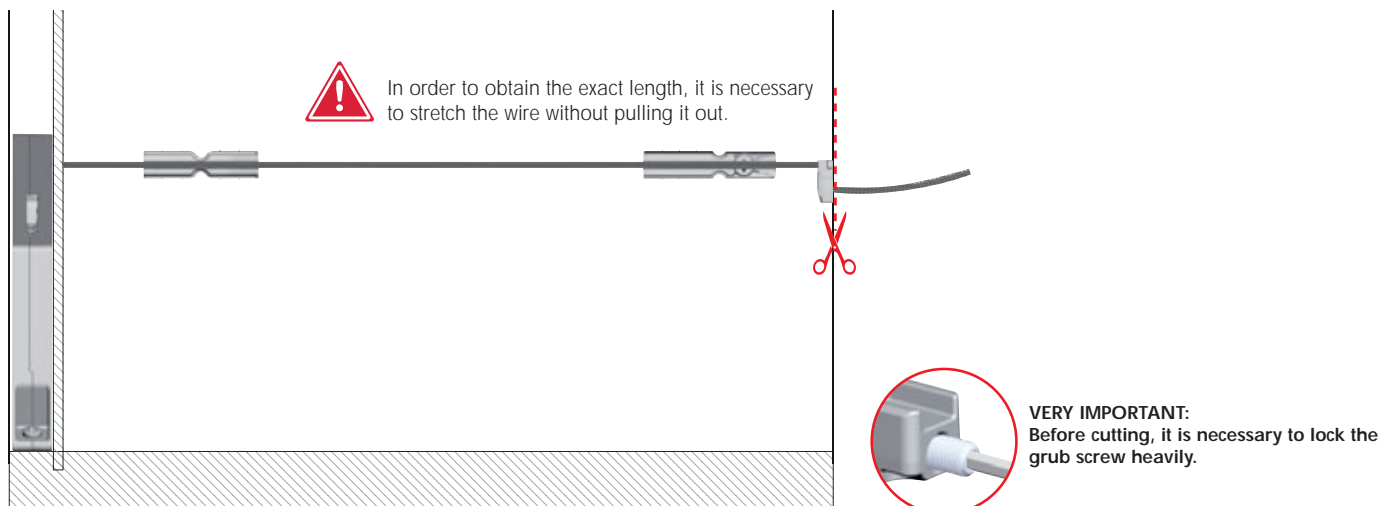
### INSERTION OF THE WIRE INTO THE END PART AND LOCKING WITH M3 GRUBSCREW

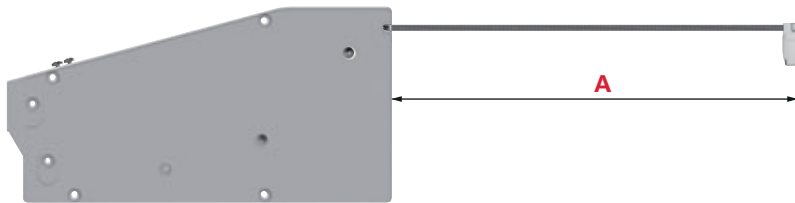
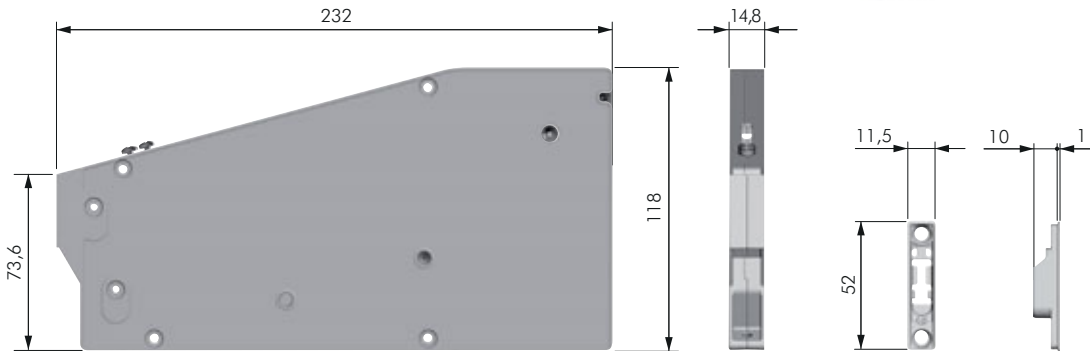


### WIRE CUTTING WITH UNMOUNTED MECHANISM



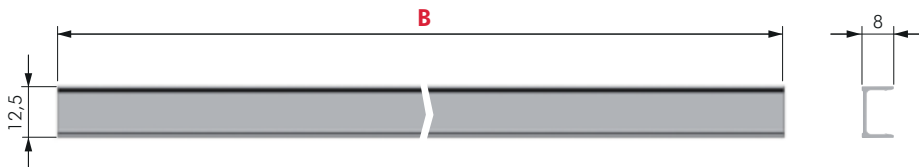
### WIRE CUTTING WITH MOUNTED MECHANISM



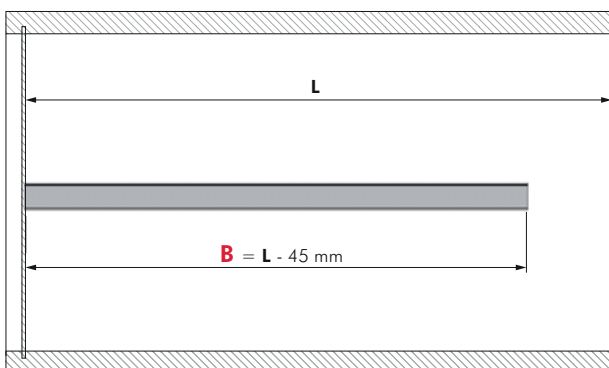


ZA	EP	ST	= 12 pcs.
			<b>A</b> (mm)
<b>KIARO</b>	<b>46006000YA</b>	<b>YQ</b>	600
<b>KIARO S</b>	<b>46106000YA</b>	<b>YQ</b>	

NOTE: Possibility to supply the wire with customized length (A).



**CUT TO SIZE RULE:**



AL	= 12 pcs.		
			<b>B</b> (mm)
<b>46205500UT</b>	<b>FV</b>		550

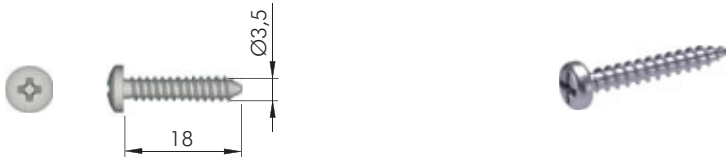
NOTE: Possibility to supply the aluminium profile with customized length (B).

Finishes matching between cover caps and alu. profiles:

YA → UT  
YQ → FV



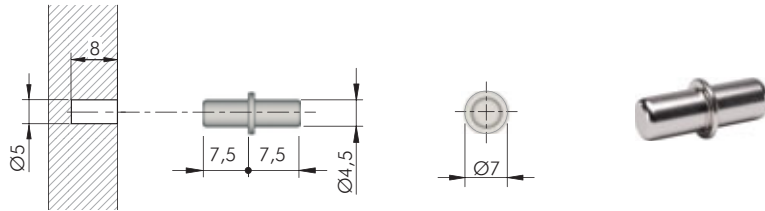
## ACCESSORIES FOR MECHANISM FIXING



= Ø 3 mm  
 = PZ2  
 = 10.000 pcs.



60103150ZN



= Ø 5 mm  
 = 5000 pcs.



10101010ZN



## ACCESSORY FOR DOOR BRACKET FIXING



= Ø 3 mm   
 = PZ2  
 = 10.000 pcs.



60101390ZN



## ACCESSORY FOR LOCKING THE GRUB SCREW



= S 1,5 mm  
 = 1000 pcs.



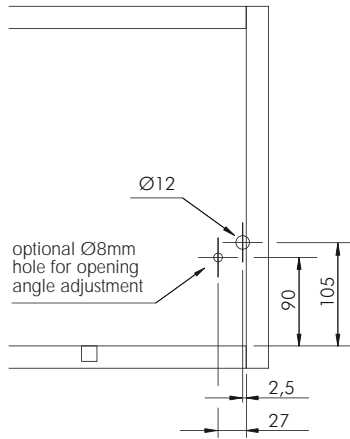
62501050ZN



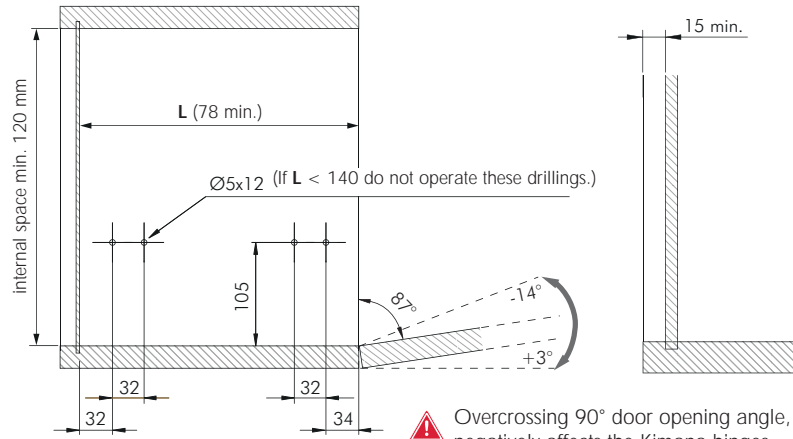
**KIARO WITH KIMANA HINGE**



**BACK-PANEL DRILLING OPERATIONS**



**SIDE-PANEL DRILLING OPERATIONS**

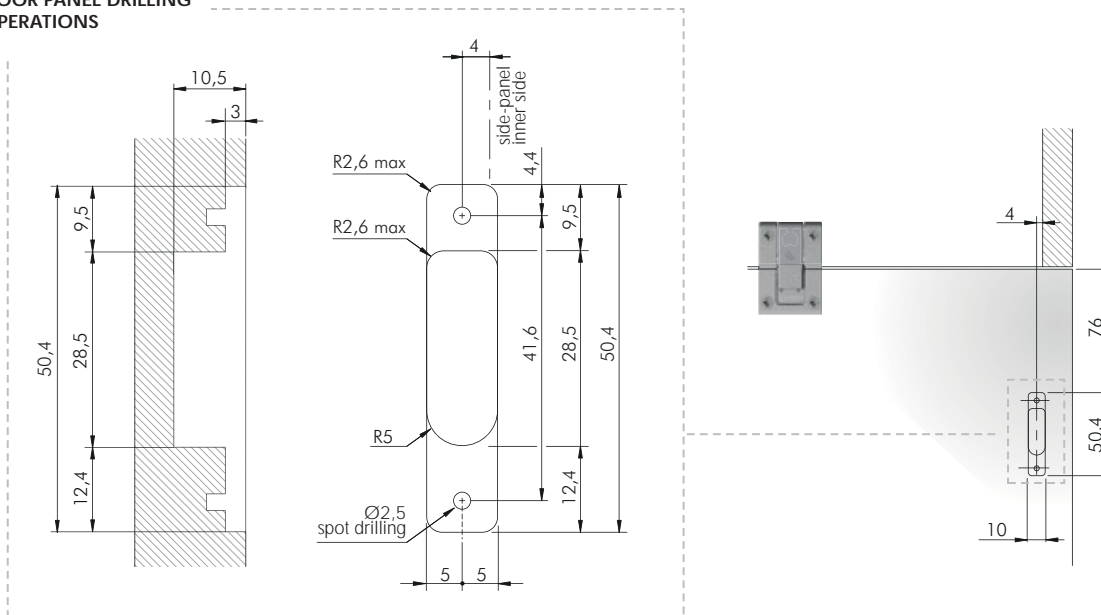


**!** Overcrossing 90° door opening angle, negatively affects the Kimana hinges.



In case of door without handles it is recommended to use **K Push Tech with buffer**.

**DOOR PANEL DRILLING OPERATIONS**

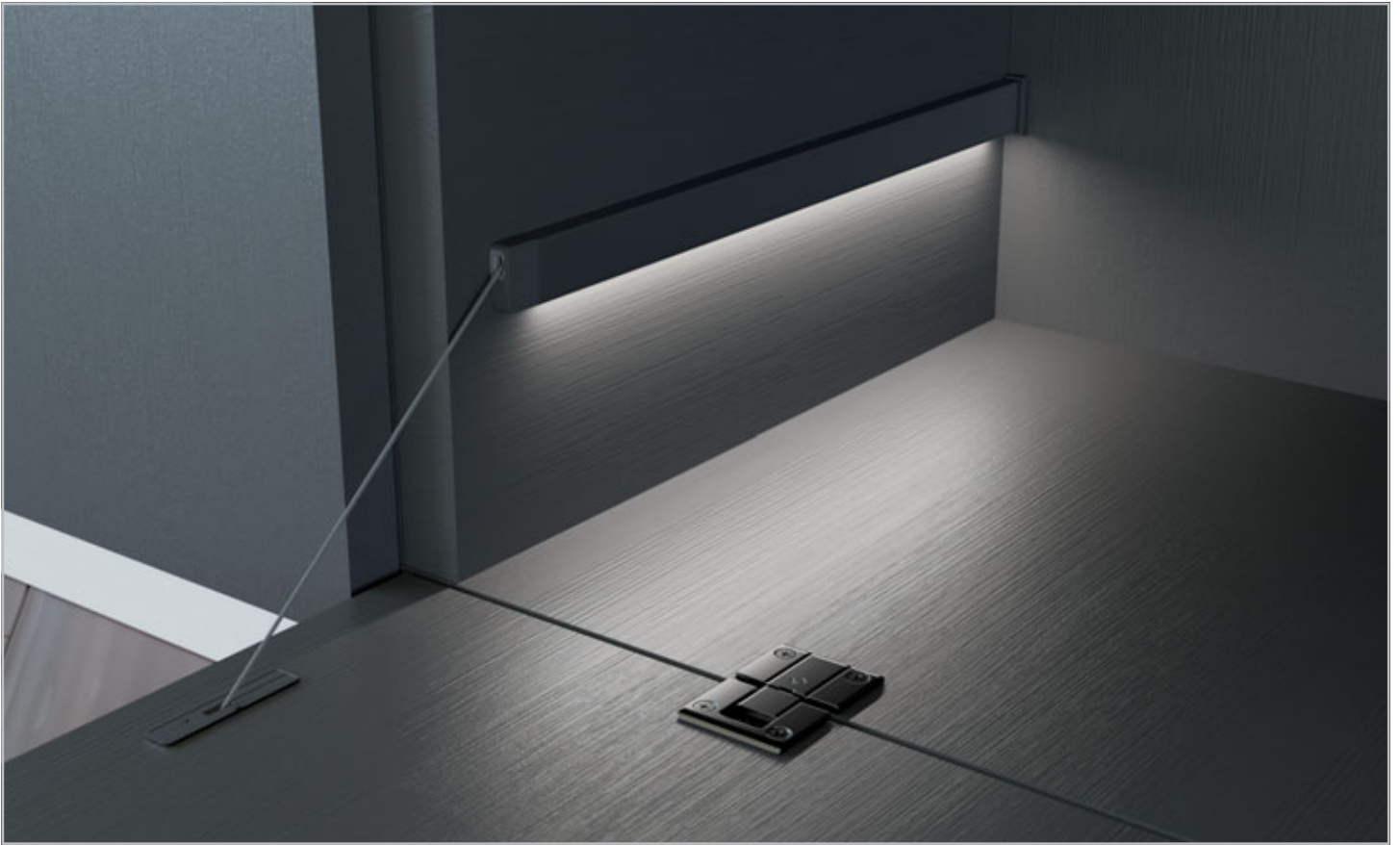


**KIARO WITH STANDARD UNSPRUNG HINGES**



In case other hinges than KIMANA are used, it is necessary to contact an authorized dealer for a correct drilling scheme. For this purpose, use the form on the Italiana Ferramenta website (product KIARO) to provide the required specifications.

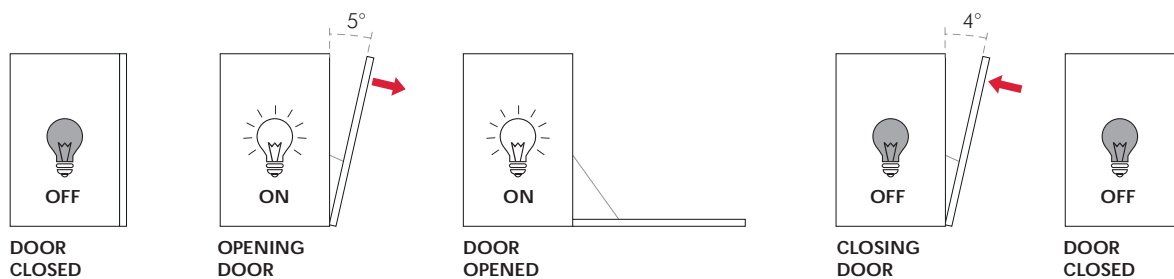
## KIARO LED



The mechanism can be supplied with an integrated device operating as an on-off switch for the internal light, coordinated with the door opening and closing, adding a homely ambiance and a touch of luxury.

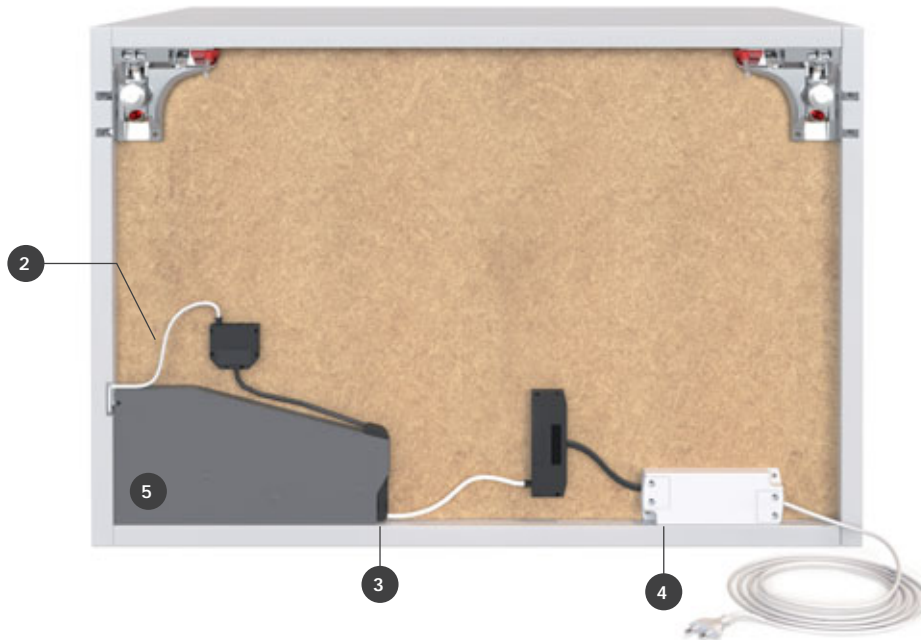
The lighting device of KIARO is to be installed on the concealed mechanism and can work either for the lateral profile with integrated LED strip or for other lighting appliances placed inside the cabinet.

Thanks to this bespoke device, it is no longer required to make special drilling operations to install visible opening detectors.





## COMPONENTS FOR APPLICATIONS WITH 1 KIARO LED



1 1 x KIARO LED ALUMINIUM PROFILE  
1 x COVER CAPS SET

2 1 X LED FLEXIBLE STRIP

3 1 X SENSOR FOR KIARO LED

4 1 X CHARGER

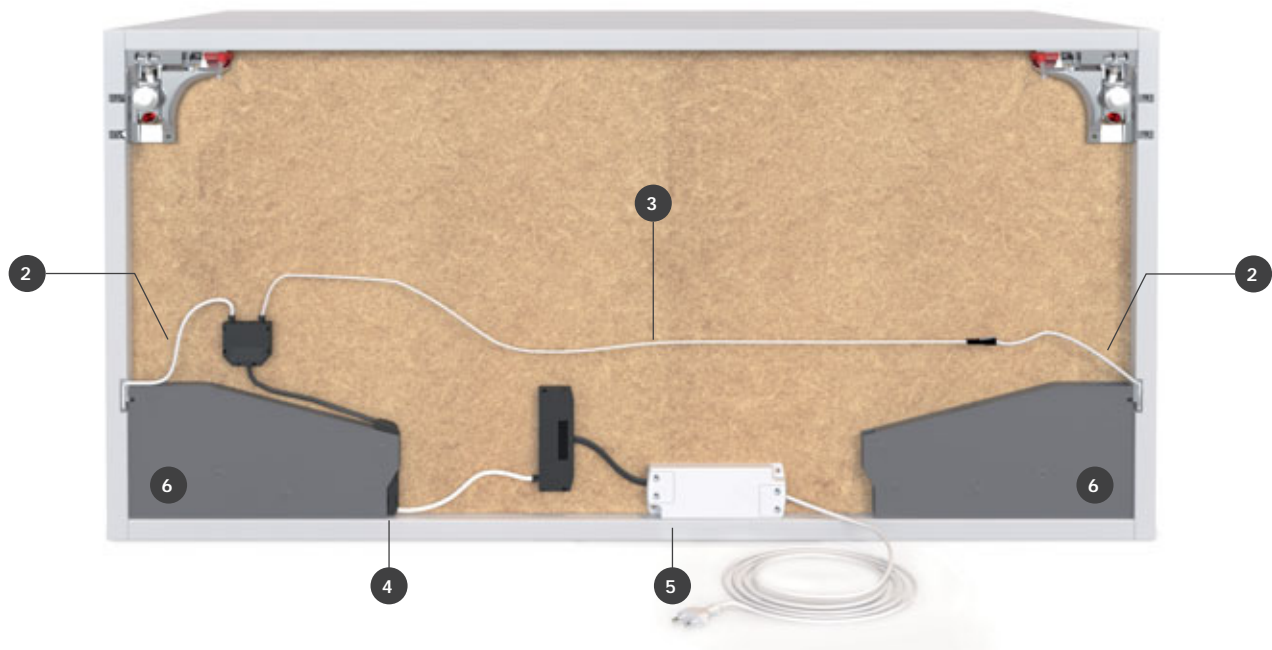
5 KIT MECHANISM KIARO or KIARO S (with door brackets)



For the correct mechanism settings please refer to the dedicated section.



## COMPONENTS FOR APPLICATIONS WITH 2 KIARO LED



1 2 x KIARO LED ALUMINIUM PROFILE  
1 x COVER CAPS SET

2 2 x LED FLEXIBLE STRIP

3 1 x EXTENSION CABLE

4 1 x SENSOR FOR KIARO LED

5 1 x CHARGER

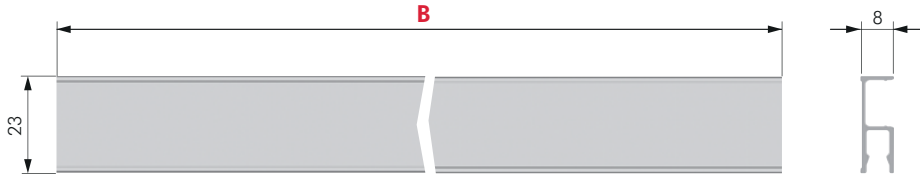
6 KIT MECHANISM **KIARO** or **KIARO S** (with door brackets)



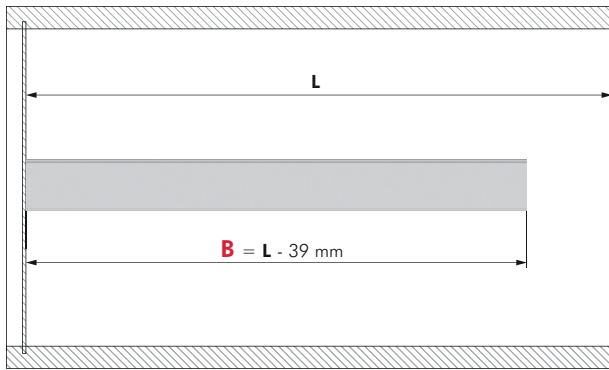
For the correct mechanism settings please refer to the dedicated section.



**KIARO LED ALUMINIUM PROFILE**



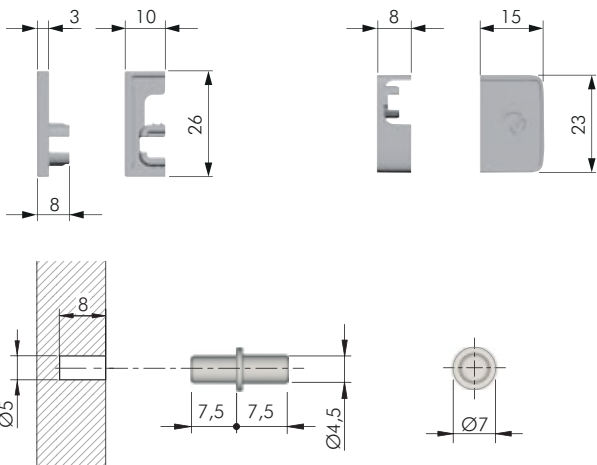
CUT TO SIZE RULE:



AL	= 12 pcs.
<b>46505500UT</b>	<b>FV</b>
	<b>B (mm)</b> 550

NOTE: Possibility to supply the aluminium profile with customized length (B).

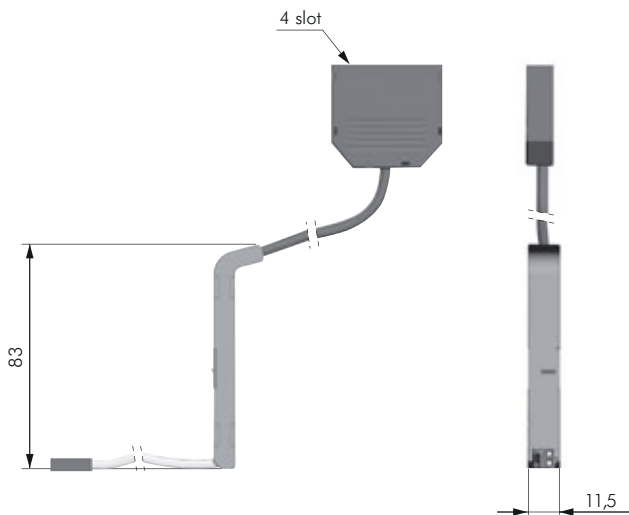
**COVER CAPS SET**



EP	= 1 pc.
<b>46303140EW</b>	<b>EE</b>

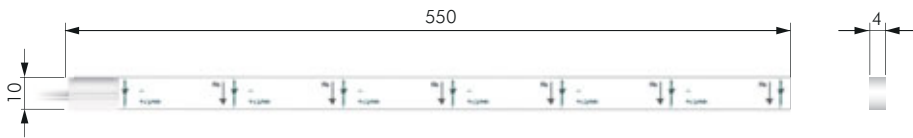
NOTE: Finishes matching between cover caps and alu. profiles:  
EW → UT  
EE → FV


**SENSOR FOR KIARO LED**





Maximum output: 30 Watt with light 12Vdc 60 Watt with light 24Vdc	
	= 12 pcs.
<b>4670600000</b>	

## LED FLEXIBLE STRIP

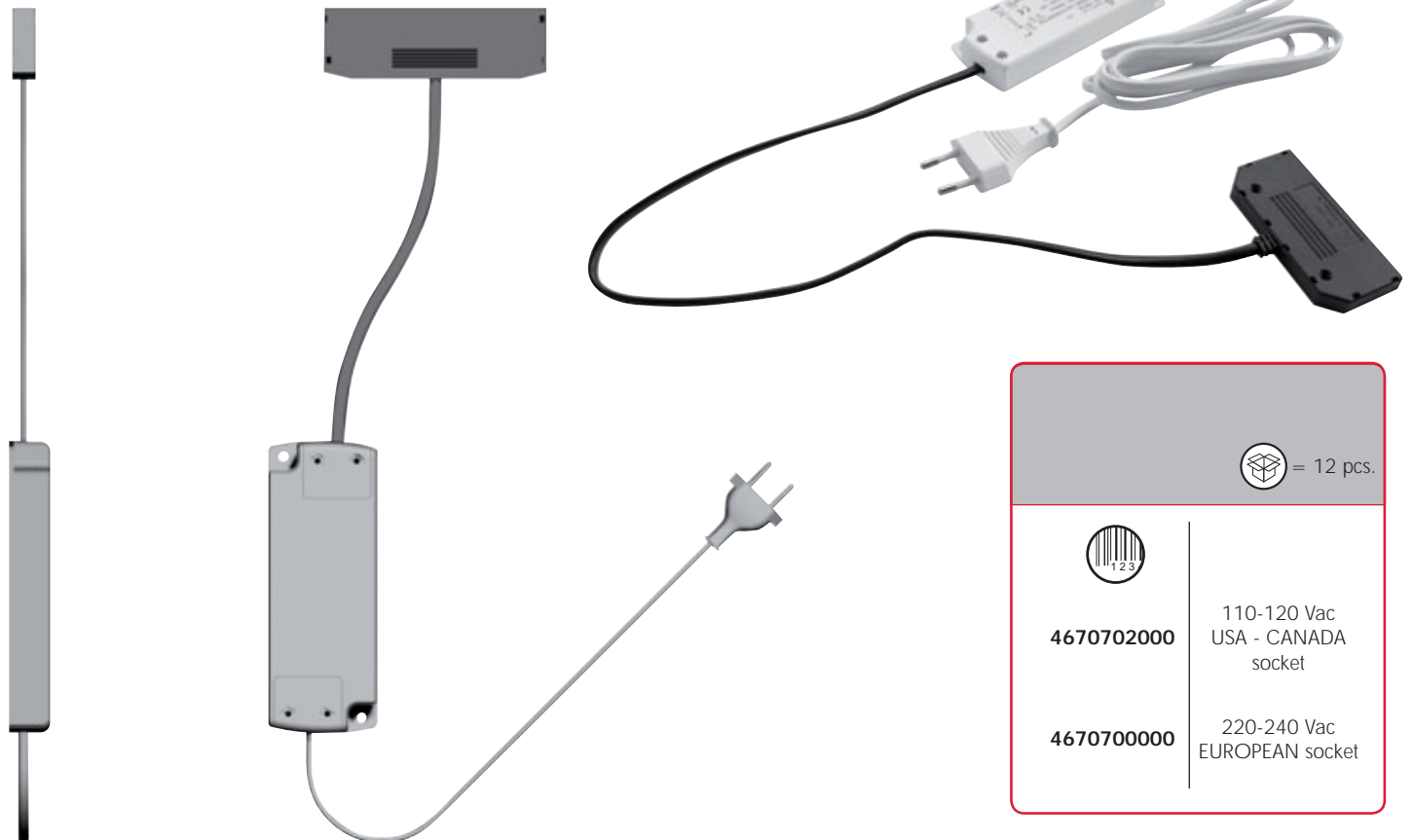



 = 12 pcs.


 123  
**46601000AB**

 **LED Colour temperature**  
4000 K

## CHARGER



 = 12 pcs.

 123  
**4670702000**

110-120 Vac  
USA - CANADA  
socket

**4670700000**

220-240 Vac  
EUROPEAN socket



**EXTENSION CABLE**



Length: 2000 mm

= 12 pcs.



4670601000

**CUSTOMER LIGHTING CONNECTORS**



Length: 150 mm

Male connector

= 12 pcs.



4670602000



Length: 150 mm

Female connector

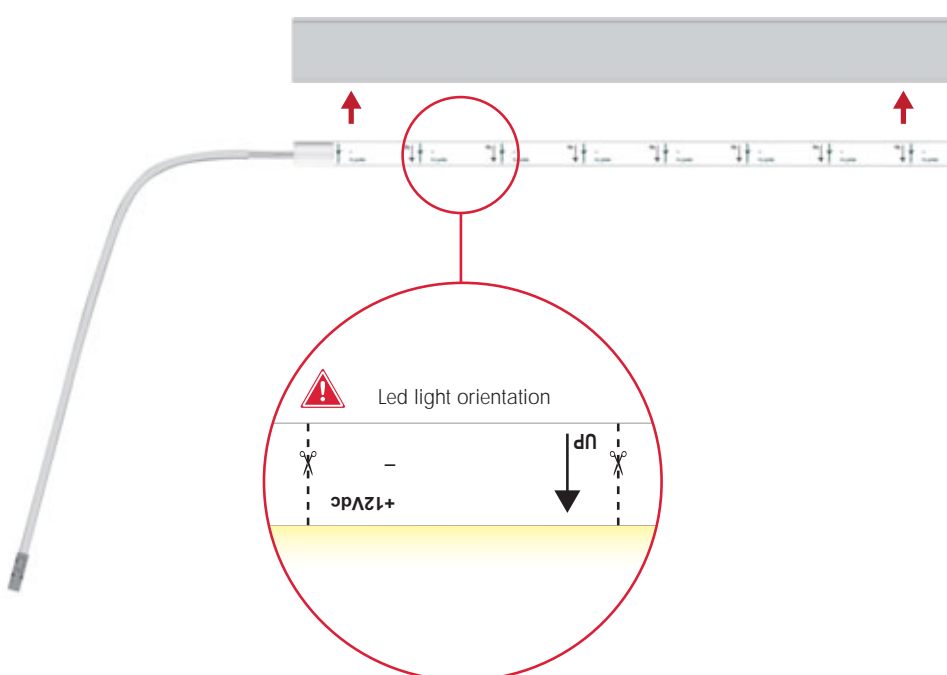
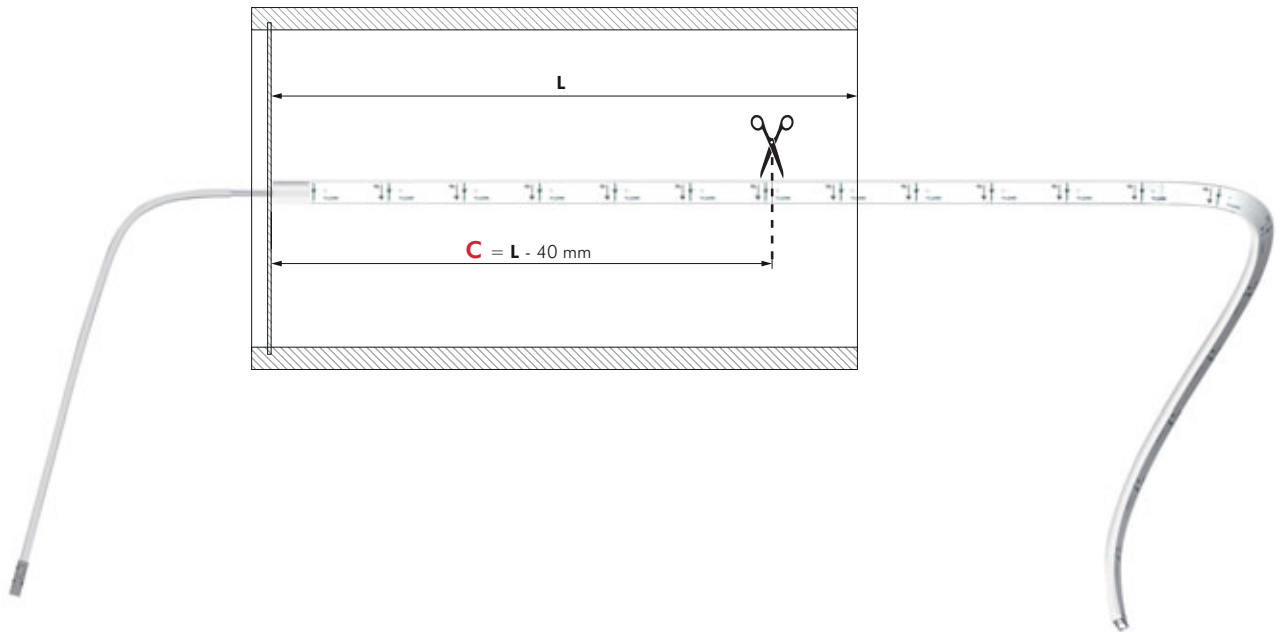
= 12 pcs.



4670603000

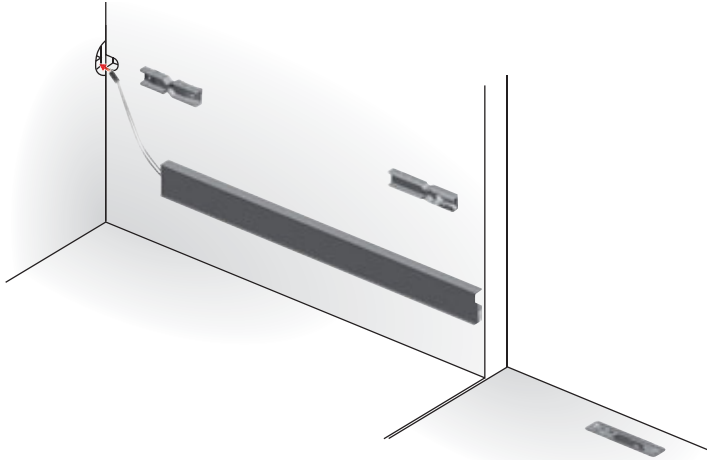
## KIARO LED INSTALLATION

HOW TO CUT ON SIZE AND INSTALL THE LED FLEXIBLE STRIP.

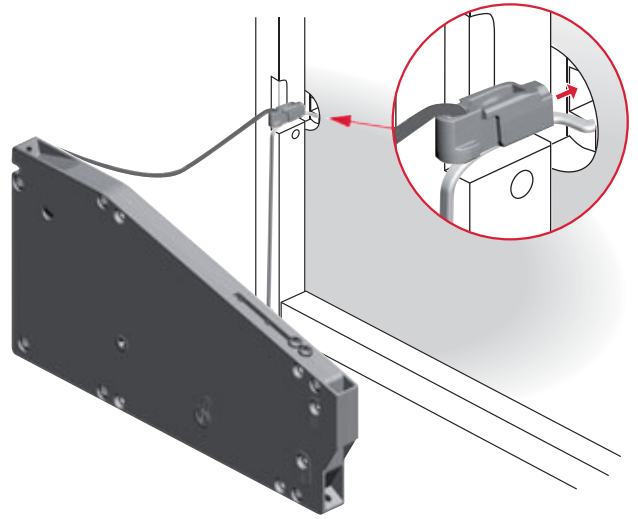




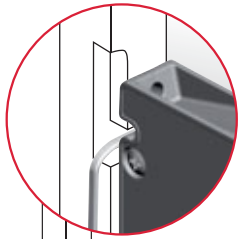
**LED STRIP ELECTRICAL WIRE INSERTION THROUGH THE BACKSIDE HOLE**



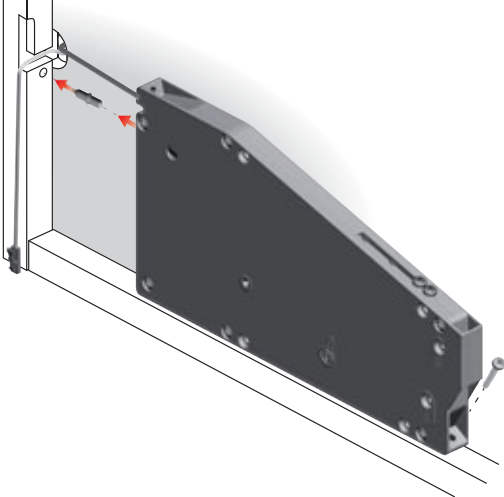
**MECHANISM INSTALLATION**



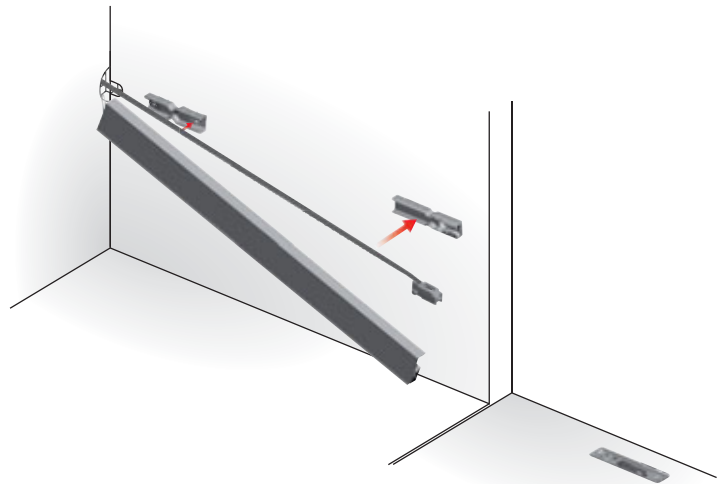
**MECHANISM FIXING**



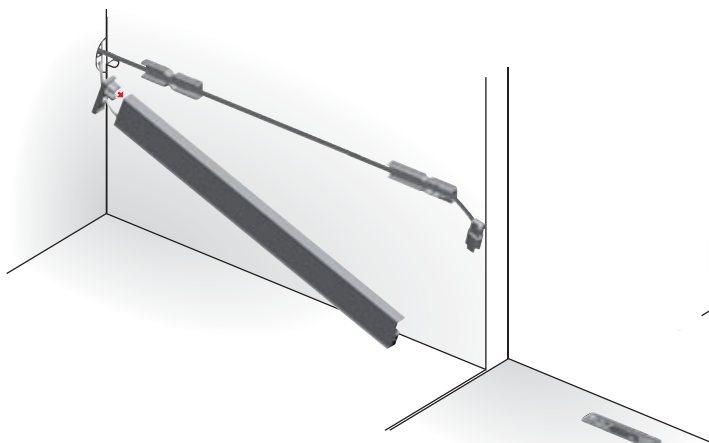
Pull the power cable of the led strip through the drilling spot on the cabinet side, before fixing the main mechanism.



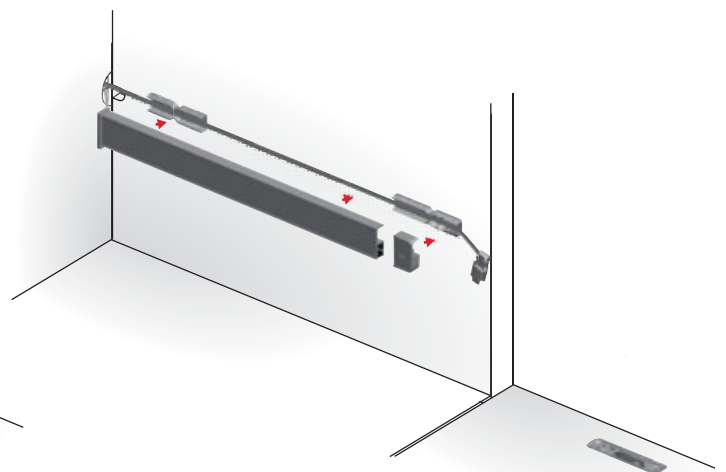
**WIRE INSTALLATION**



**INSERTION OF THE BACKSIDE COVER FOR ALU. PROFILE**

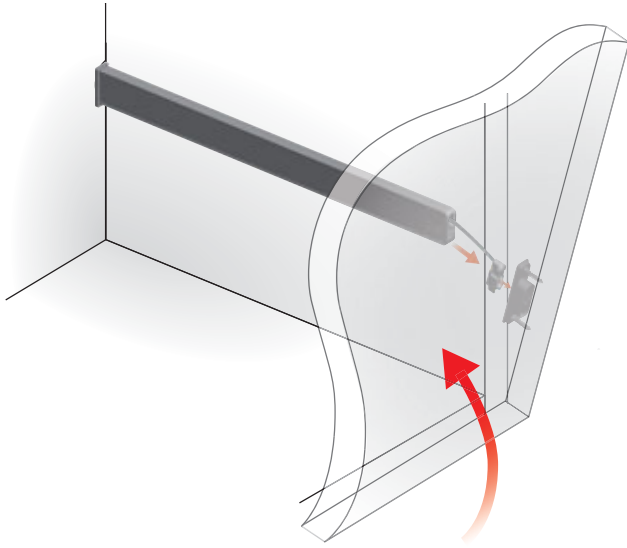


**COVER CAPS AND ALUMINIUM LATERAL PROFILE INSERTION**

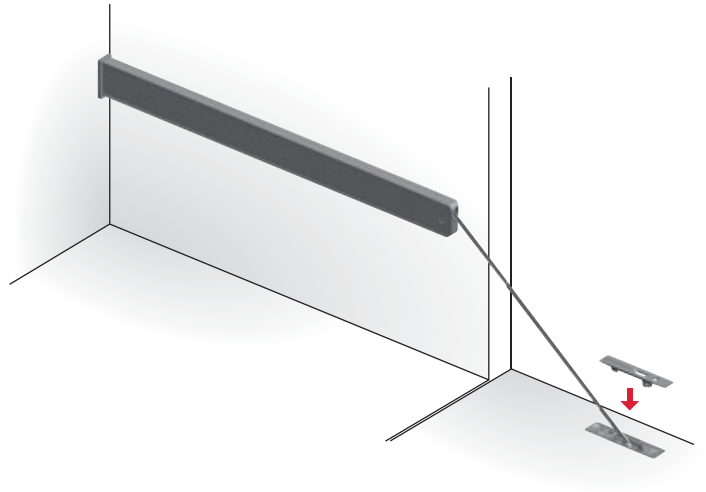




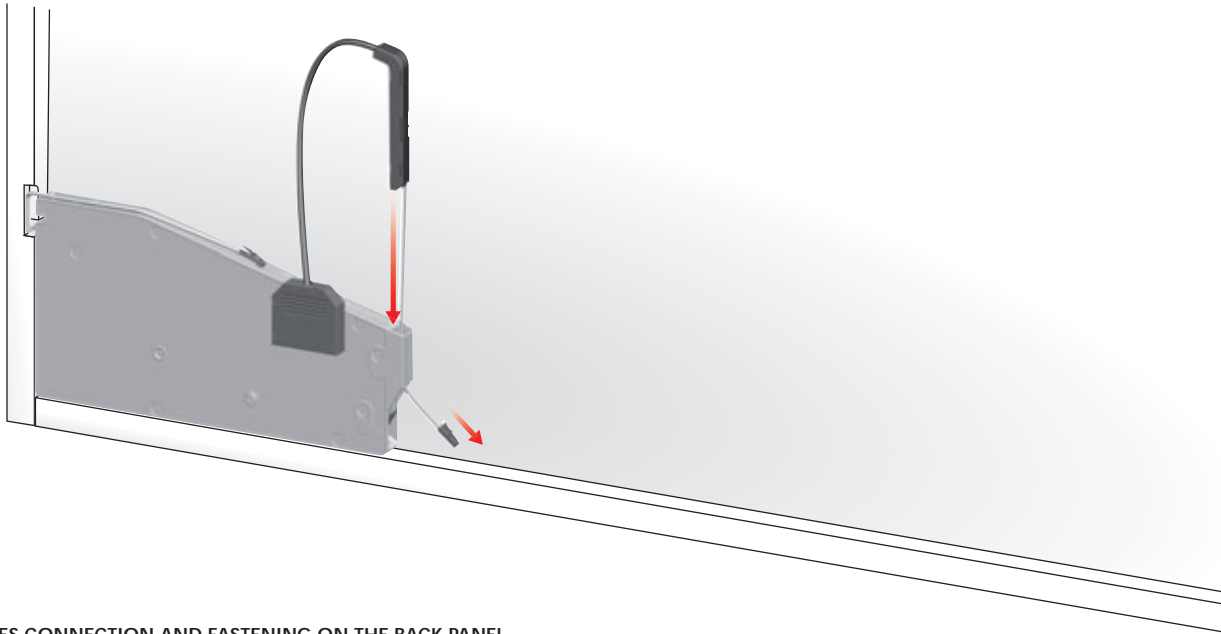
### WIRE INSERTION ONTO THE DOOR BRACKET



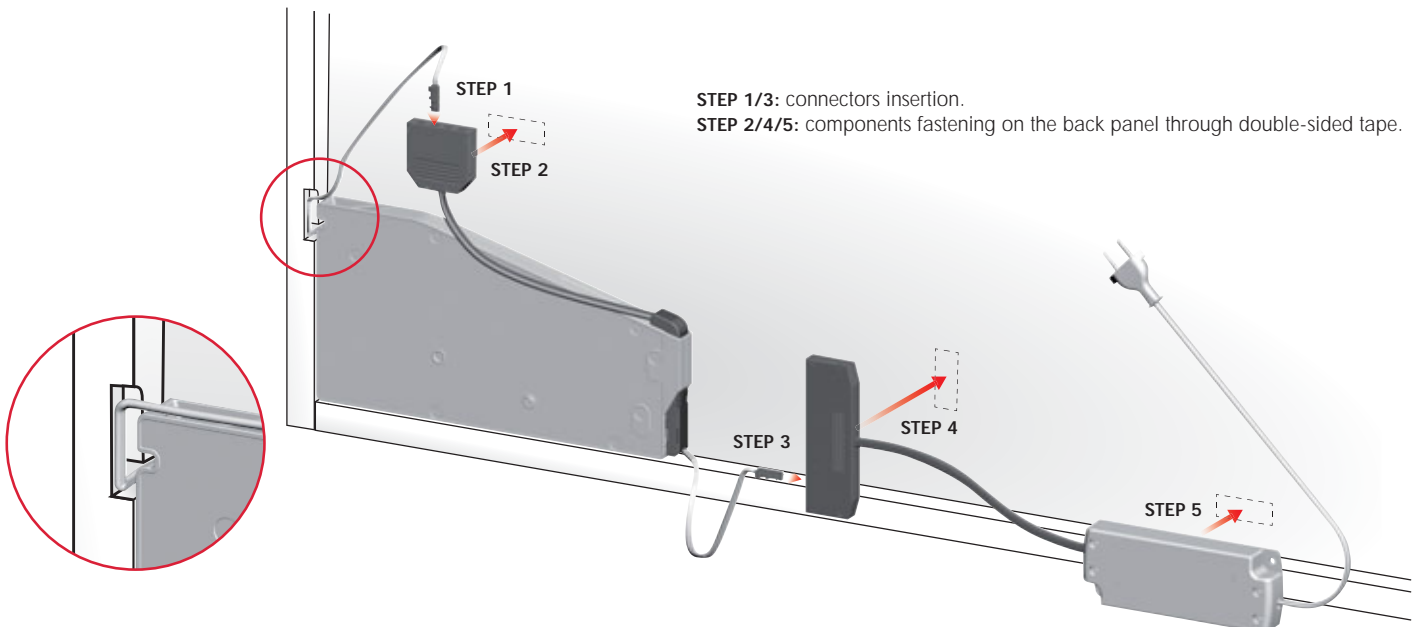
### COVER CAP FOR DOOR BRACKET INSERTION



### SENSOR INSTALLATION



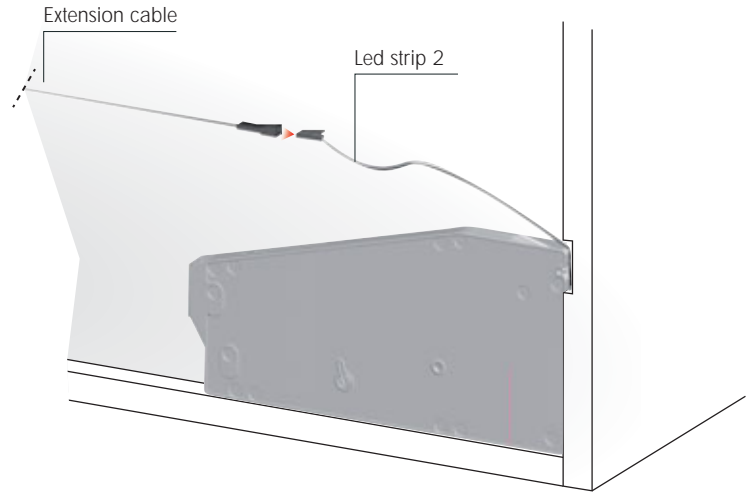
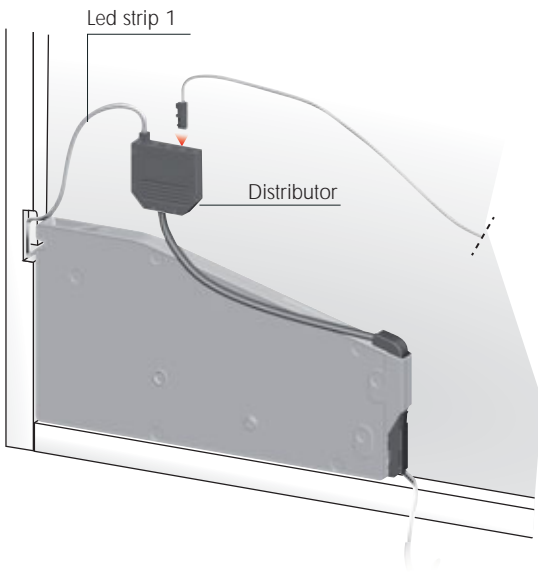
### DEVICES CONNECTION AND FASTENING ON THE BACK PANEL.



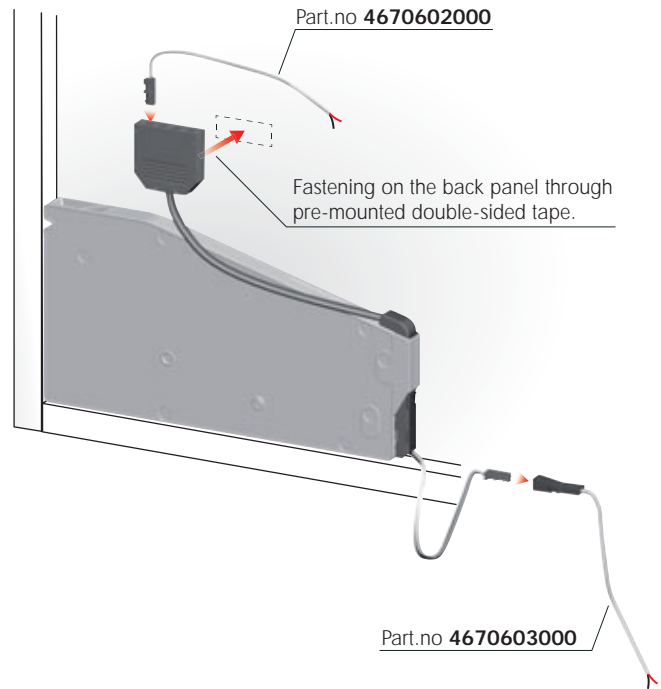
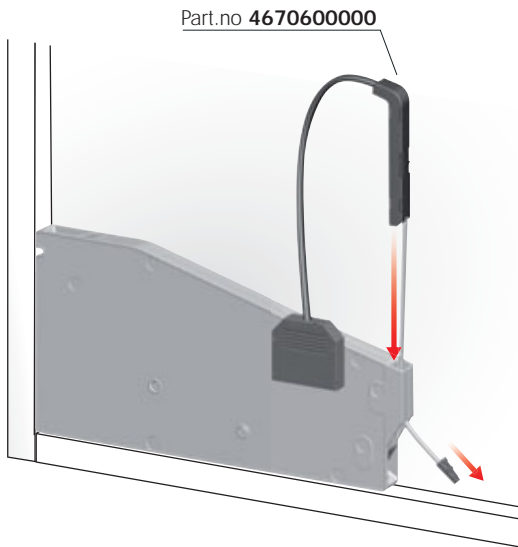




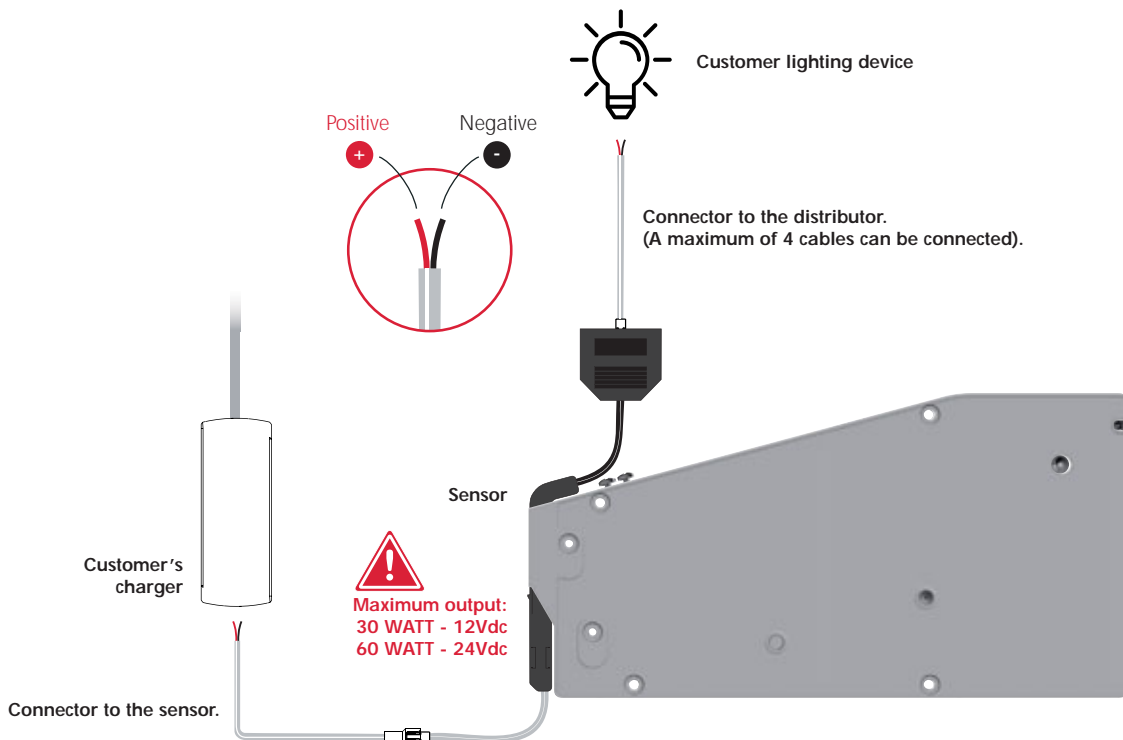
EXTENSION CABLE CONNECTION WITH LED STRIP CONNECTORS



## KIARO WIRING DIAGRAM FOR CUSTOMER LIGHTING

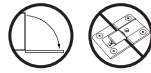


Each door must be connected to only one sensor, no matter how many mechanism are installed.

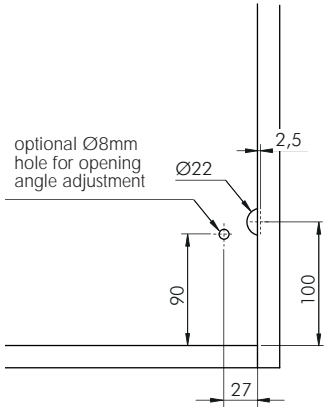




**KIARO LED WITH KIMANA HINGE**

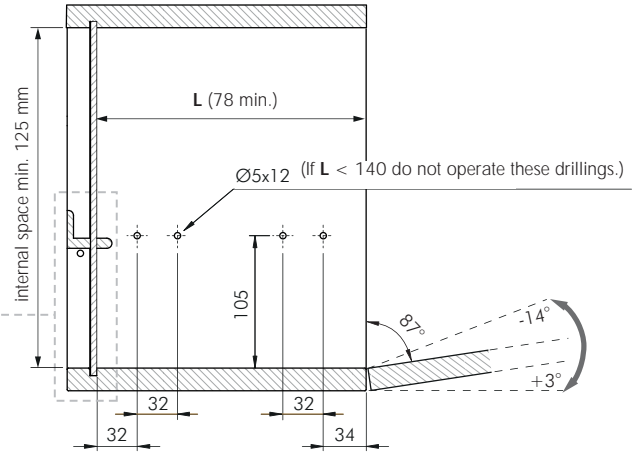
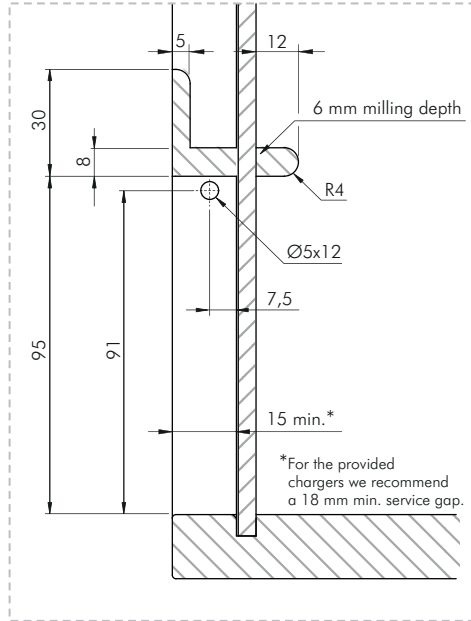


**BACK-PANEL DRILLING OPERATIONS**



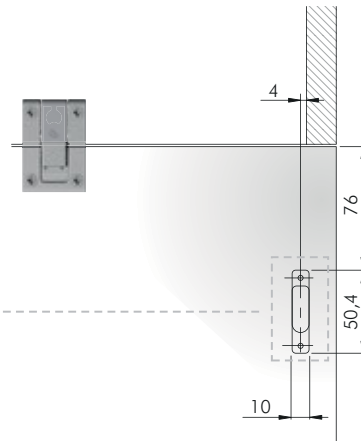
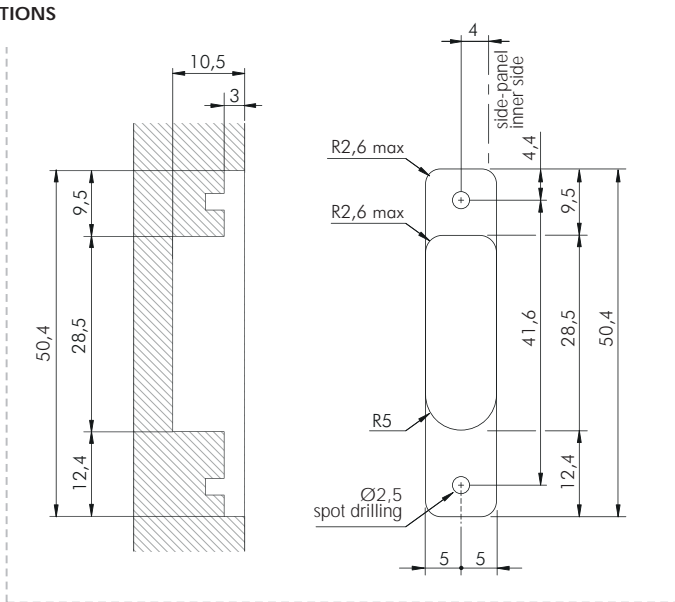
In case of door without handles it is recommended to use **K Push Tech with buffer**.

**SIDE-PANEL DRILLING OPERATIONS**

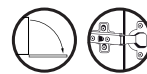


Overcrossing 90° door opening angle, negatively affects the Kimana hinges.

**DOOR PANEL DRILLING OPERATIONS**



**KIARO LED WITH STANDARD UNSPRUNG HINGES**



In case other hinges than KIMANA are used, it is necessary to contact an authorized dealer for a correct drilling scheme. For this purpose, use the form on the Italiana Ferramenta website (product KIARO) to provide the required specifications.

# OTHER APPLICATIONS OF KJARO

Door bracket for  
screw fixing, without  
milling on the door



Door bracket for  
aluminium doors



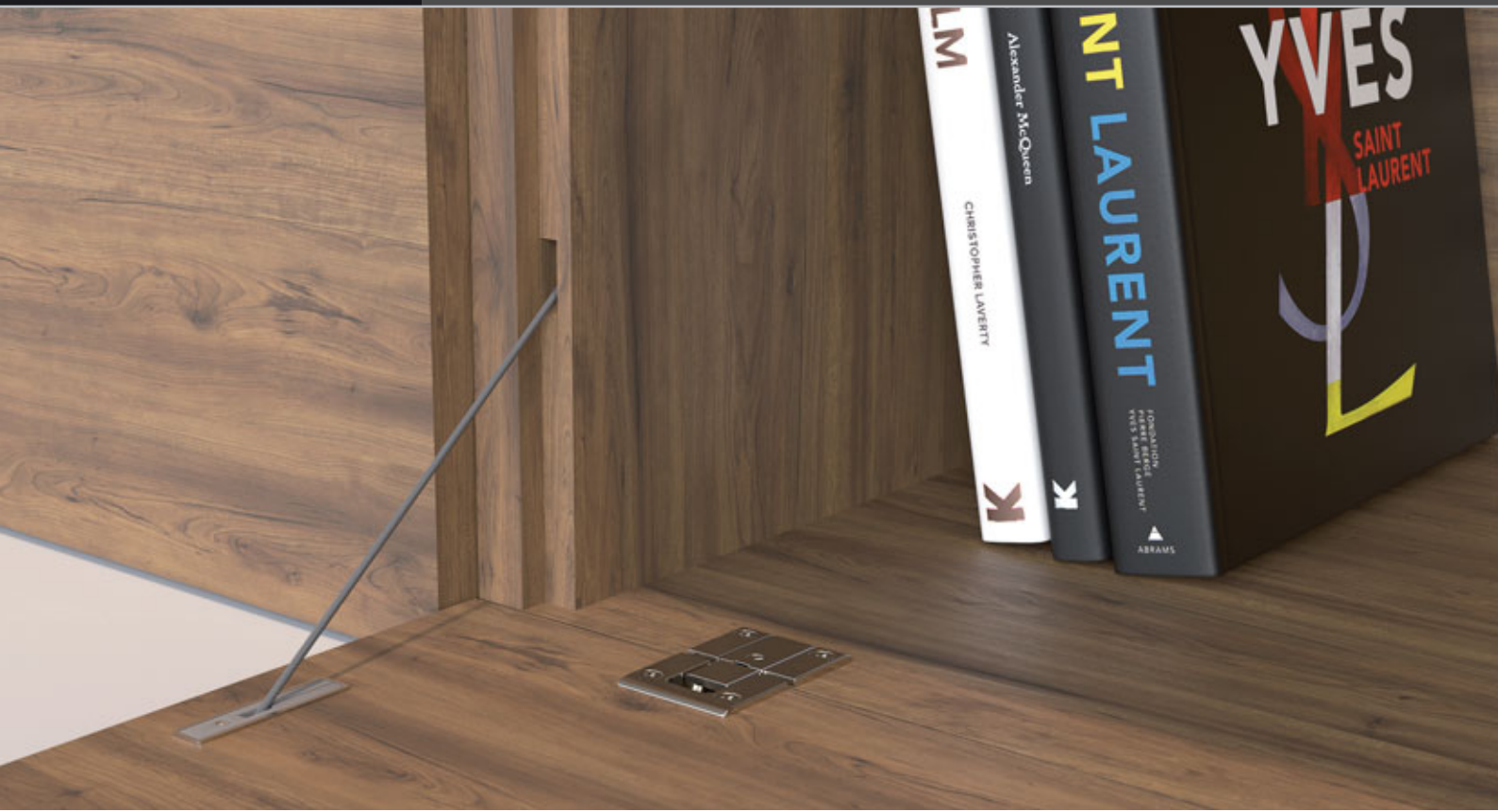
Kiaro Skin

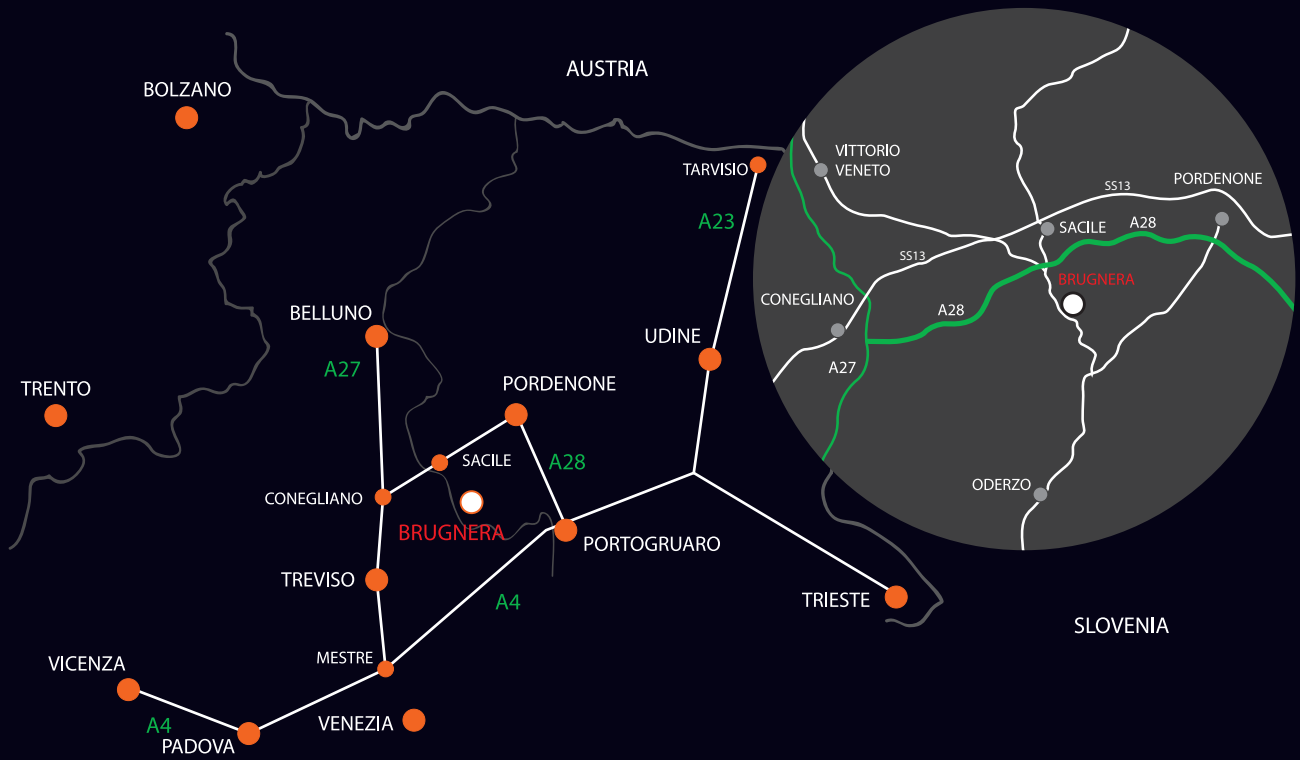


# Kiaro Fox



# Kiaro Deck





[www.italianaferramenta.com](http://www.italianaferramenta.com)